



ARCHITECTURE | DESIGN | CONSTRUCTION

15810 PARK TEN PLACE, SUITE 300  
HOUSTON, TEXAS 77084  
713-465-4650  
www.sligroup.com

© COPYRIGHT

SPACE LEFT BLANK FOR STAMP

HARRIS COUNTY ESD 48  
ADMINISTRATION BUILDING RENOVATION  
21201 MORTON ROAD  
KATY, TEXAS 77449



Project Number : 8869

ISSUED FOR CLIENT APPROVAL	DATE
ISSUED FOR BIDDING	
ISSUED FOR PERMIT	
ISSUED FOR CONSTRUCTION	03/26/26

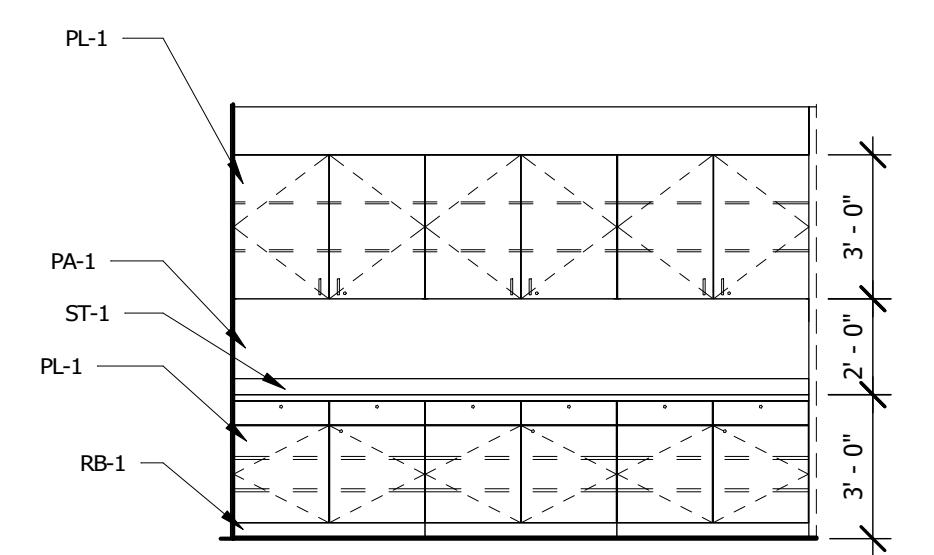
REVISIONS		
MARK	DESCRIPTION	DATE

The information, ideas, designs, details, layouts, techniques, features, arrangements, plans, sequences, dimensions, allowances, tolerances, conceptions, specifications, intentions, technology or embodiments, as illustrated, arranged, displayed, noted, recorded, indicated, represented, disclosed, evidenced, detailed or otherwise related to tangible form hereby, either expressly, inherently or by implication, are the confidential and proprietary information of SLI Design, Inc., and shall not be used for any purpose other than the specific project or undertaking identified on the drawing title block or legend for which they are and have been prepared by SLI Design, Inc. Any other reproduction, disclosure or use of any portion of the confidential and proprietary information of SLI Design, Inc., shall be a breach of the obligation of confidence created by the acceptance of this drawing from SLI Design, Inc. for a specific project or contract. Any copying, duplication, reproduction, utilization, alteration, modification, revision or change to this drawing, is expressly prohibited unless done with the prior written consent or approval of SLI Design, Inc., and shall not be undertaken without receipt of such prior written approval. This drawing is loaned by SLI Design, Inc., for the limited purpose of complying with a specific contract. The drawing remains the property of SLI Design, Inc., and shall be returned upon request or completion of the contract, unless specifically authorized by contract, under which it was loaned.

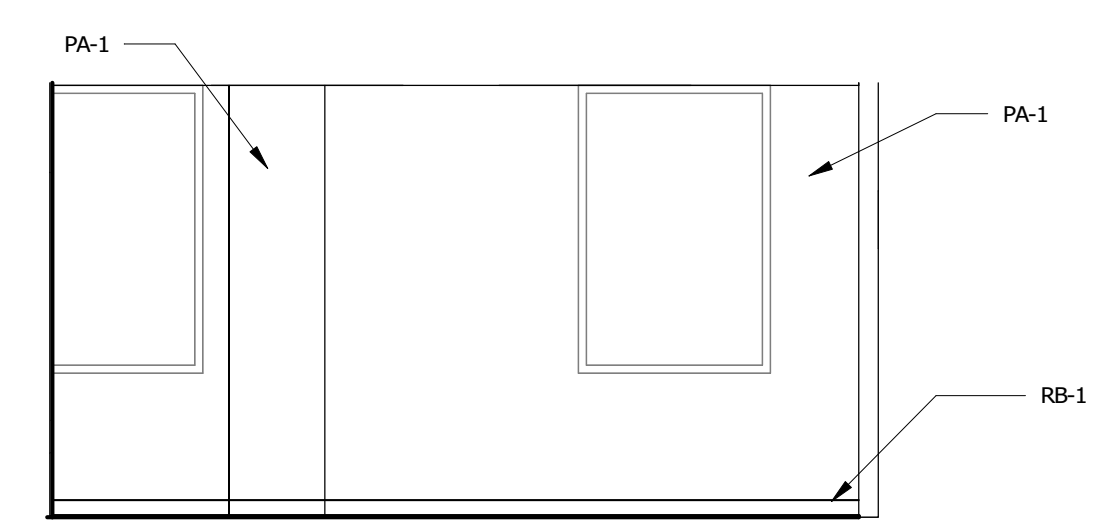
PRINT DATE: 3/26/2026 9:54:41 AM



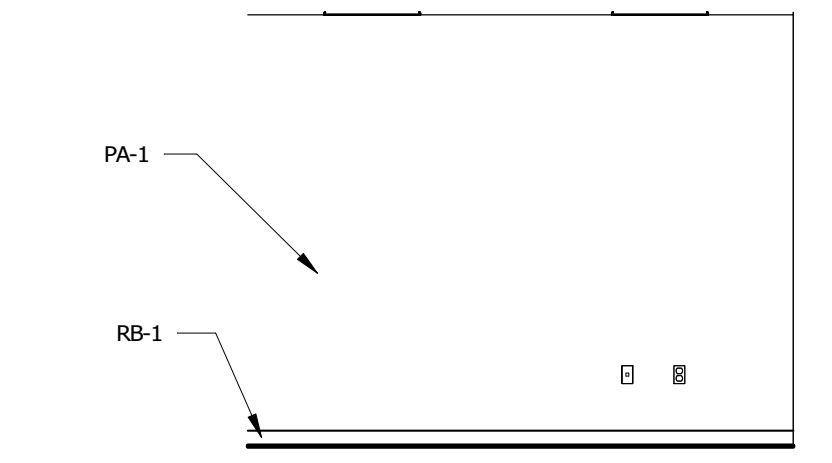
DRAWING TITLE	
DRAWN BY	Author SHEET NO.
CHECKED BY	Checker <b>A-10.00</b>
APPROVED BY	Approver



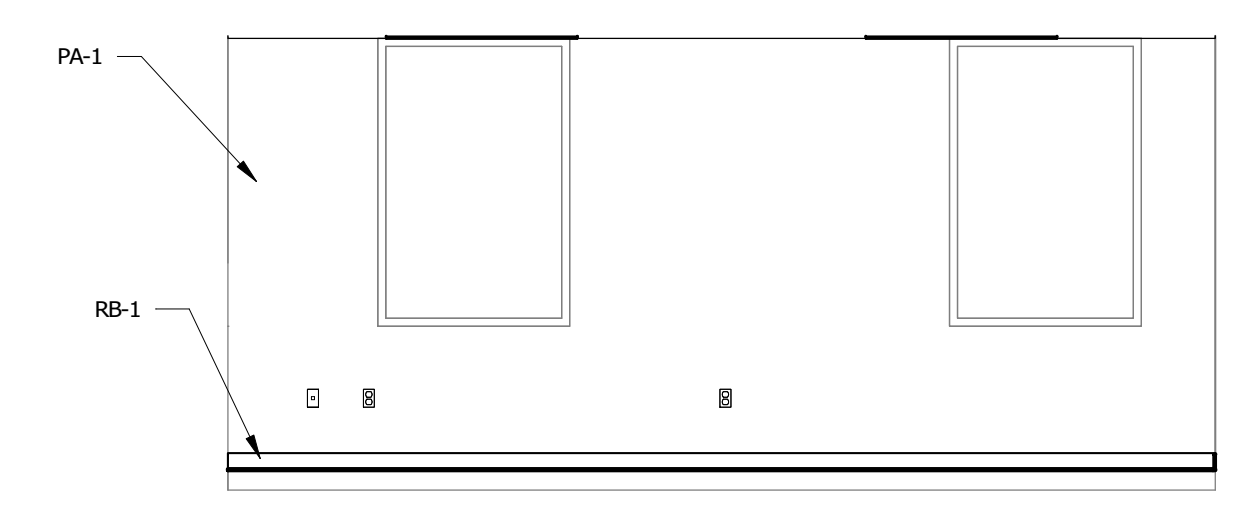
13 WORK ROOM 224  
1/4" = 1'-0"



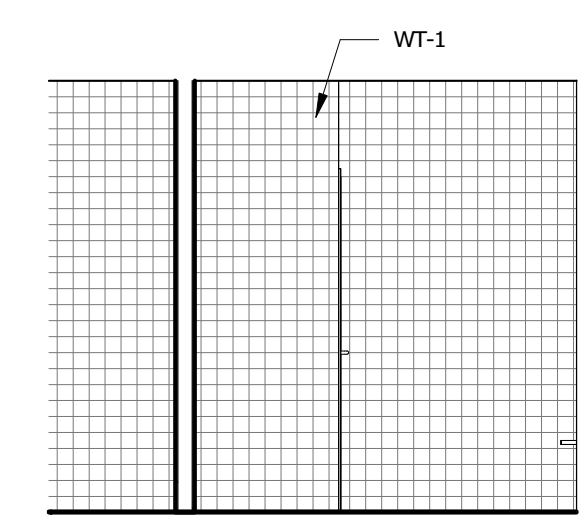
16 OFFICE 208  
1/4" = 1'-0"



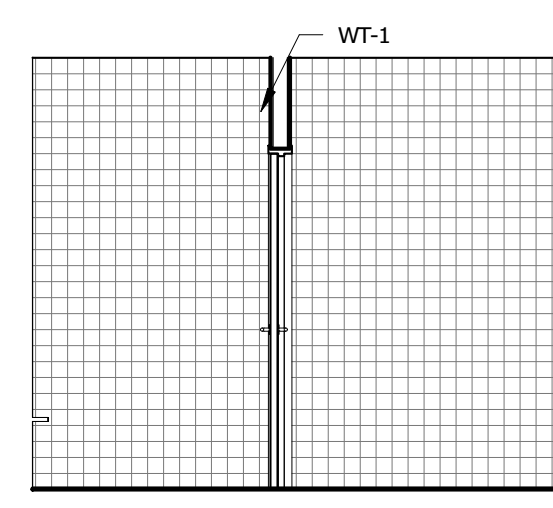
15 OFFICE 201 - SOUTH  
1/4" = 1'-0"



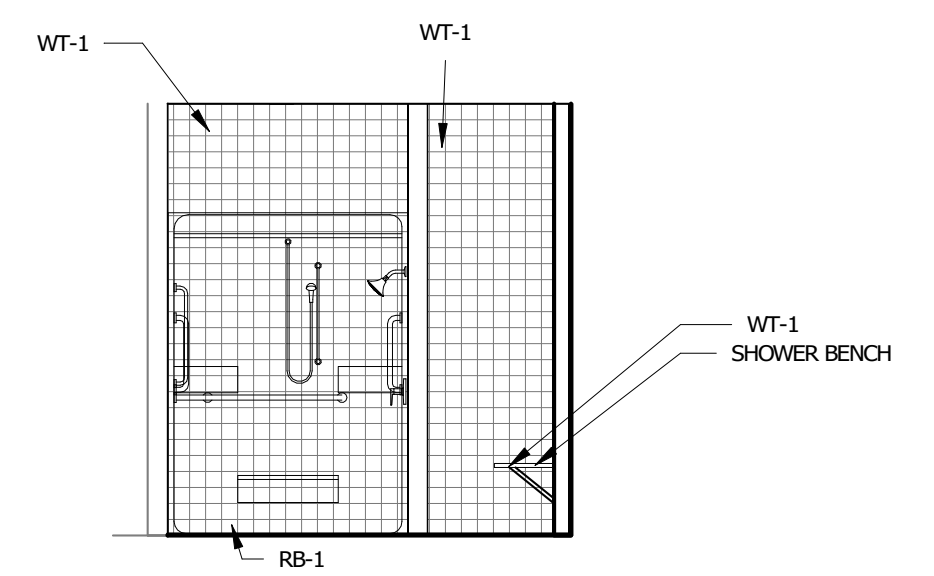
14 OFFICE 222 - WEST  
1/4" = 1'-0"



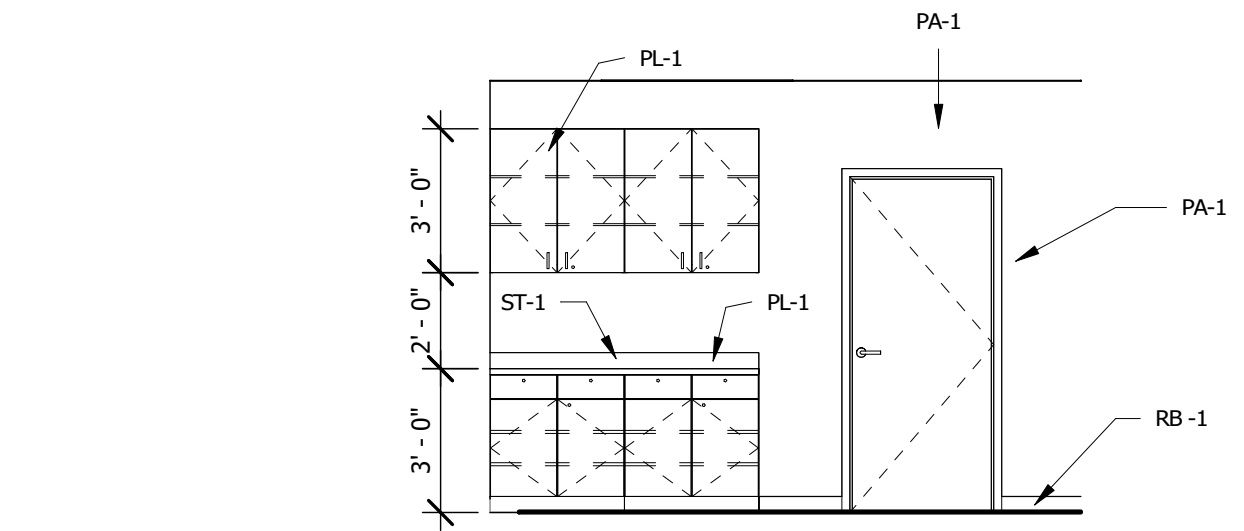
10 SHOWER 231 - NORTH  
1/4" = 1'-0"



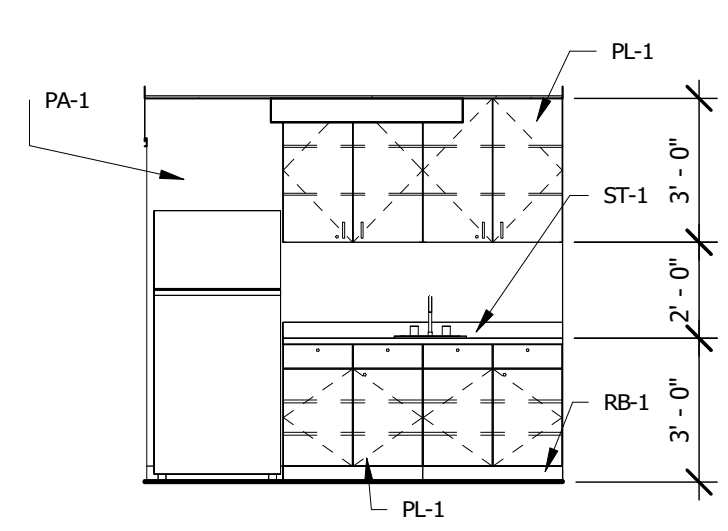
11 SHOWER 230 - SOUTH  
1/4" = 1'-0"



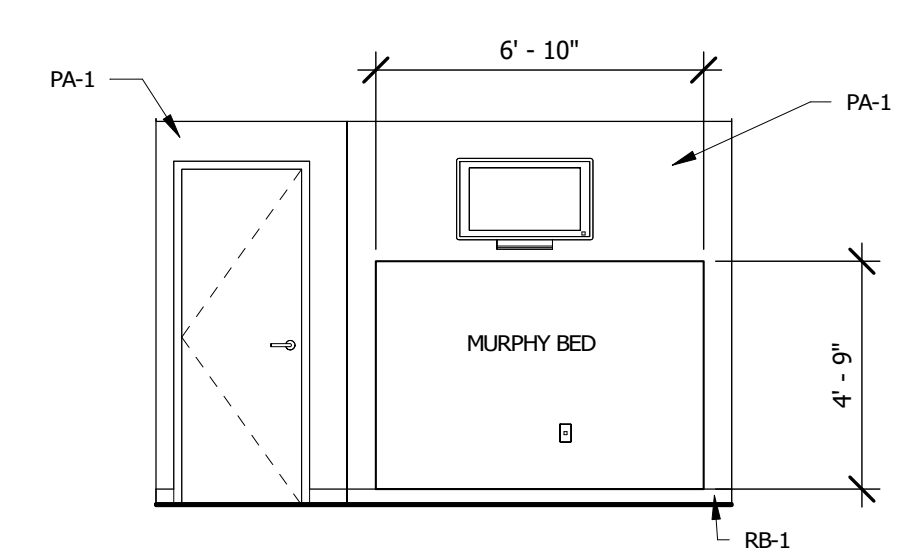
12 SHOWER 232 - WEST  
1/4" = 1'-0"



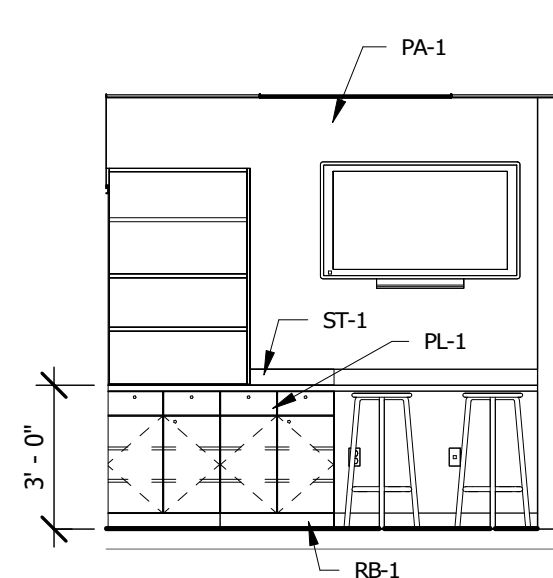
9 WORK AREA 200 - EAST  
1/4" = 1'-0"



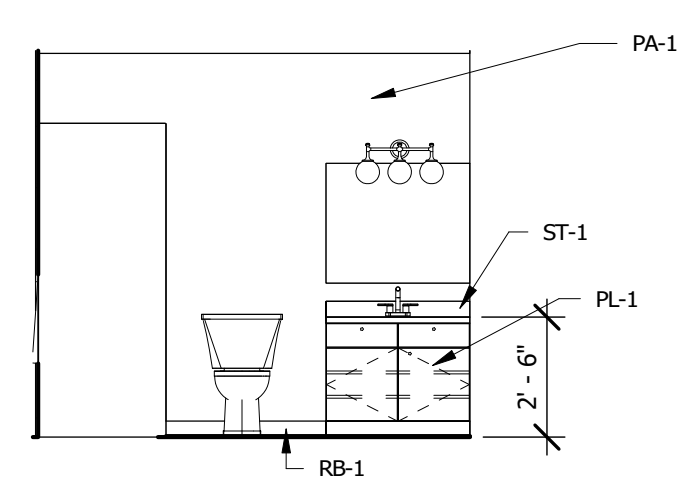
6 SIM LAB KITCHEN 212  
1/4" = 1'-0"



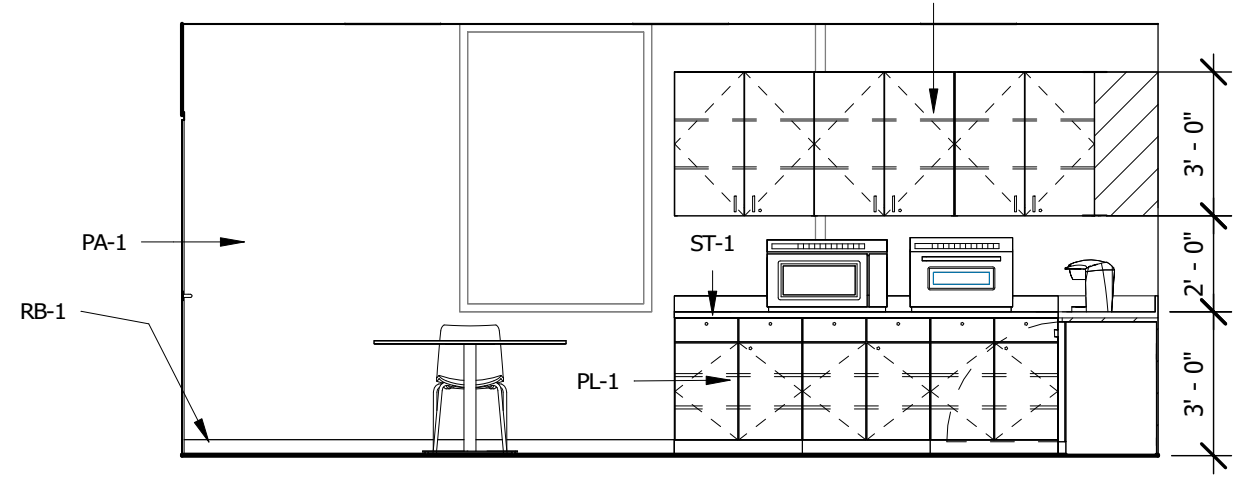
7 SIM LIVING ROOM 211  
1/4" = 1'-0"



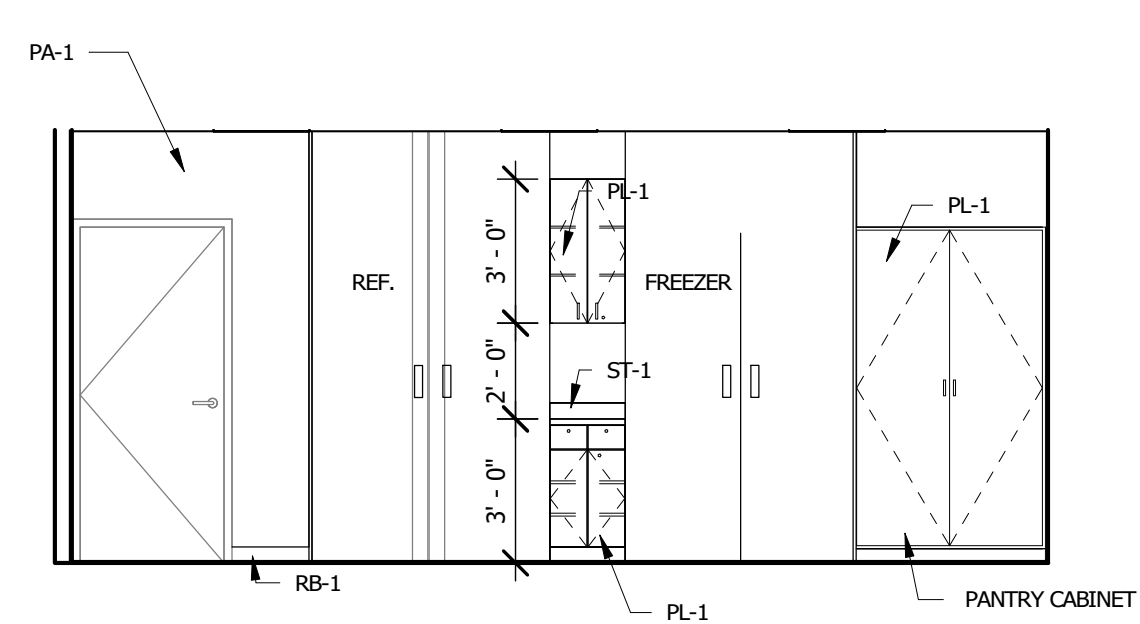
5 SIM LAB EVAL 209  
1/4" = 1'-0"



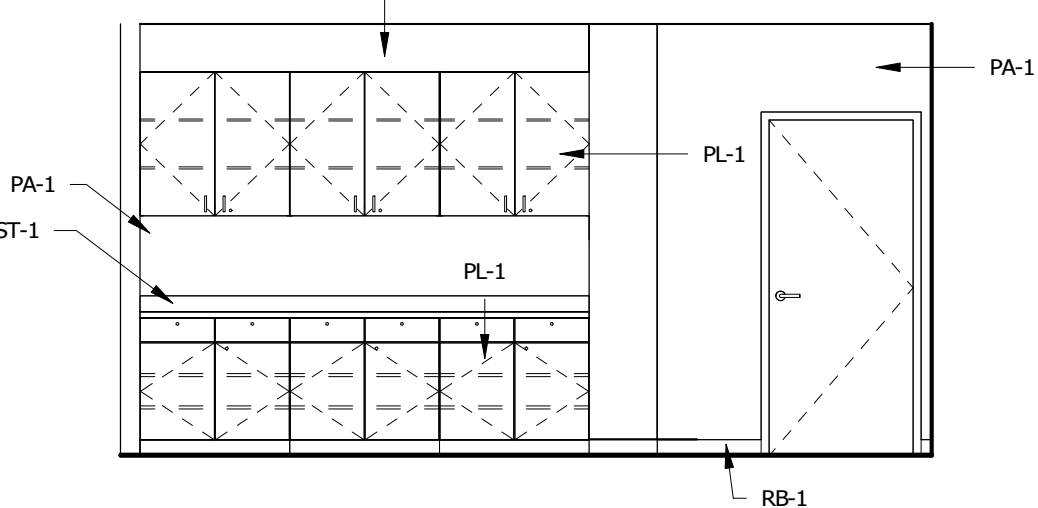
8 SIM LAB RR 215  
1/4" = 1'-0"



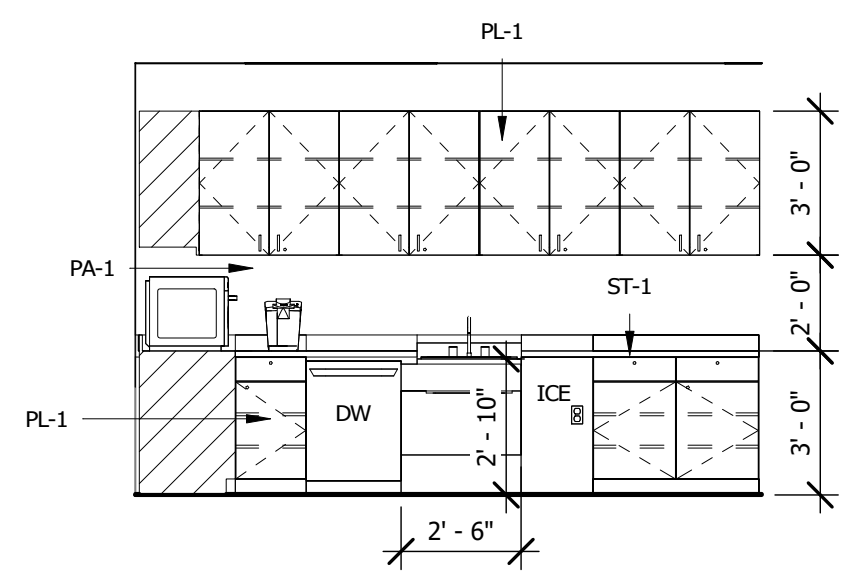
2 BREAKROOM 216 - SOUTH  
1/4" = 1'-0"



3 BREAKROOM 216 - NORTH  
1/4" = 1'-0"



4 WORKROOM 218 - NORTH  
1/4" = 1'-0"



1 BREAKROOM 216 - WEST  
1/4" = 1'-0"

C:\Users\1686\PC\Documents\Harris County ESD 48 Admin\_Central Model\_analok\KML\01.dwg