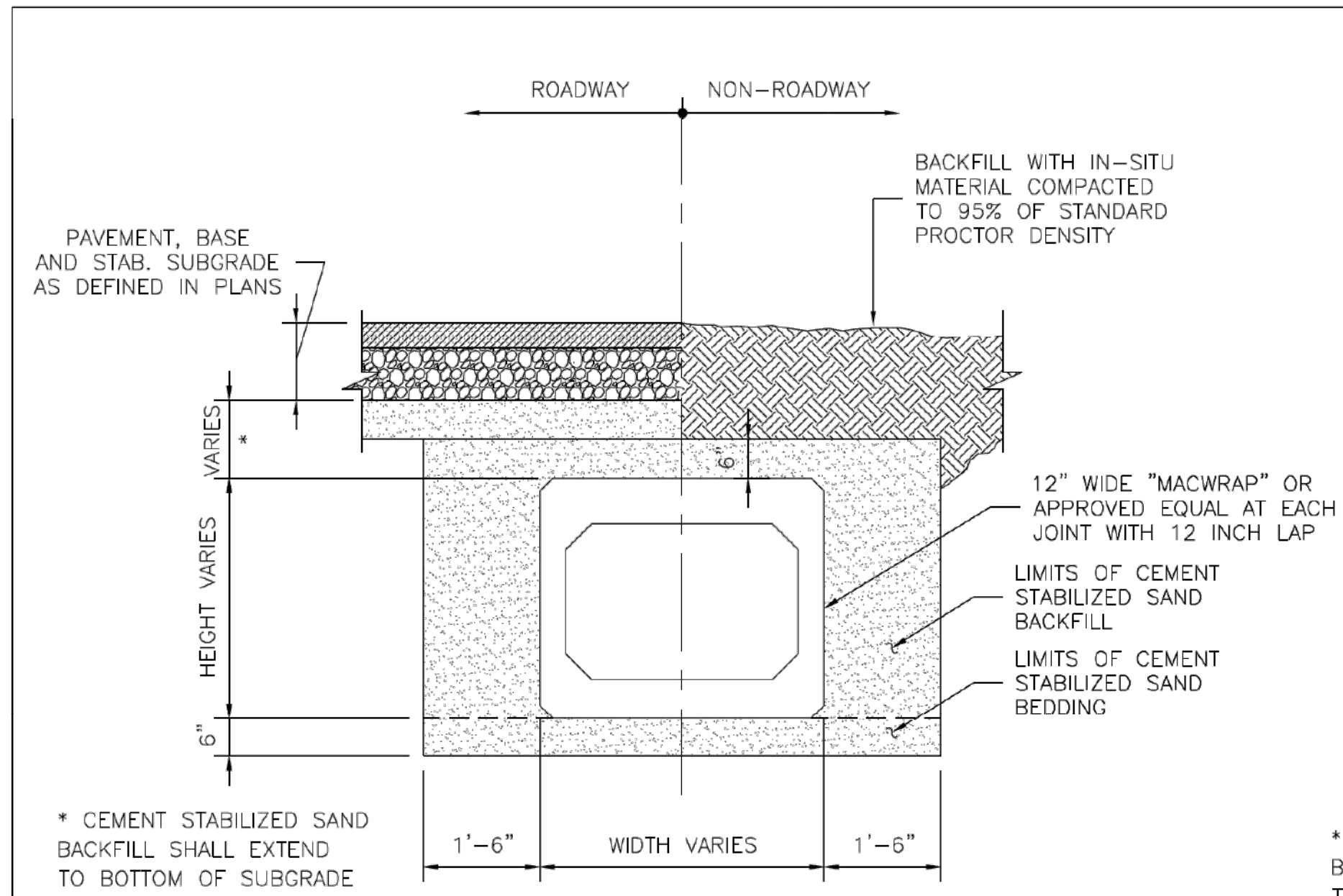
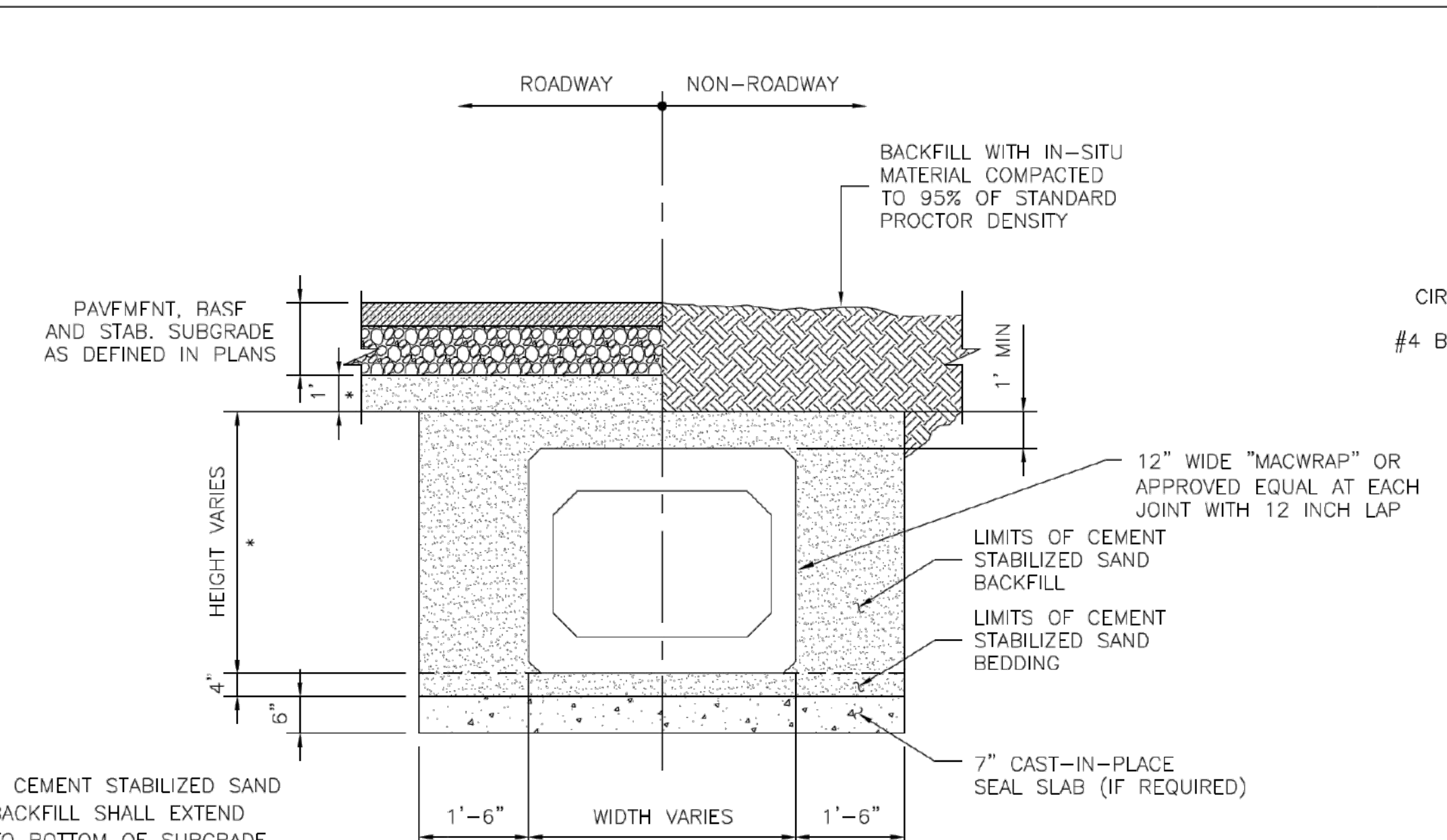


J:\170A\1601\Fort Bend County Standards\FBC Storm Sewer Construction Details\STORM\_SEWER\_CONSTRUCTION\_DETAILS.dwg



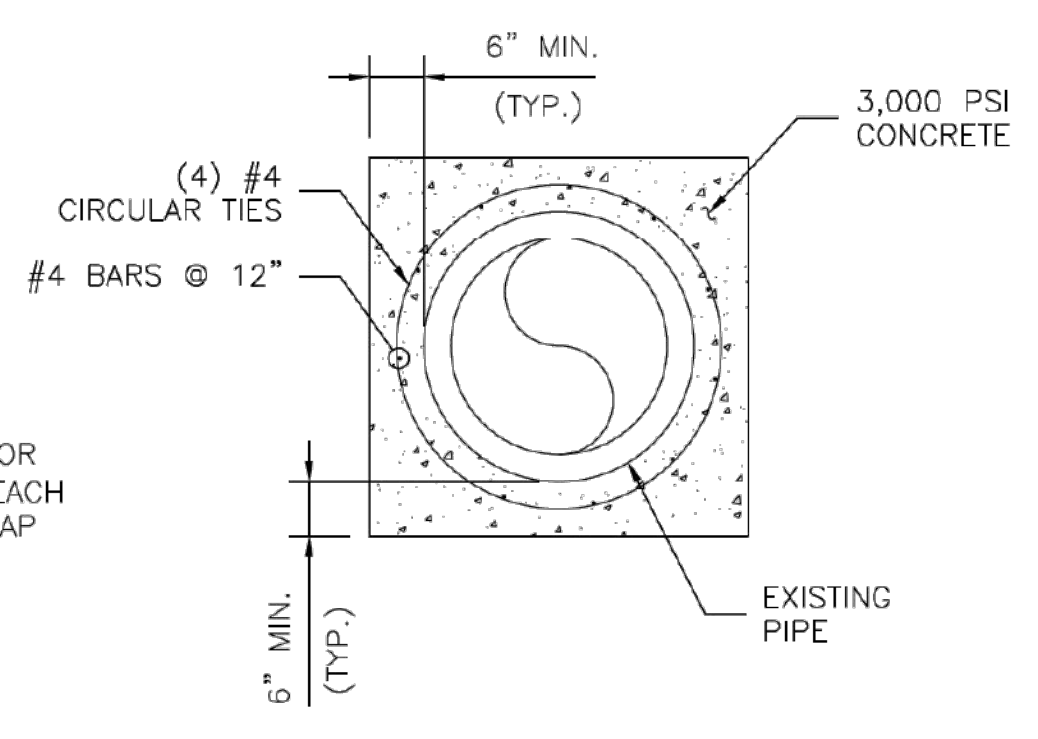
**PRECAST REINFORCED CONCRETE BOX**

\* CEMENT STABILIZED SAND BACKFILL SHALL EXTEND TO BOTTOM OF SUBGRADE ON ALL PIPE OR BOXES UNDERNEATH PAVEMENT OR WITHIN 2' BACK OF CURB.

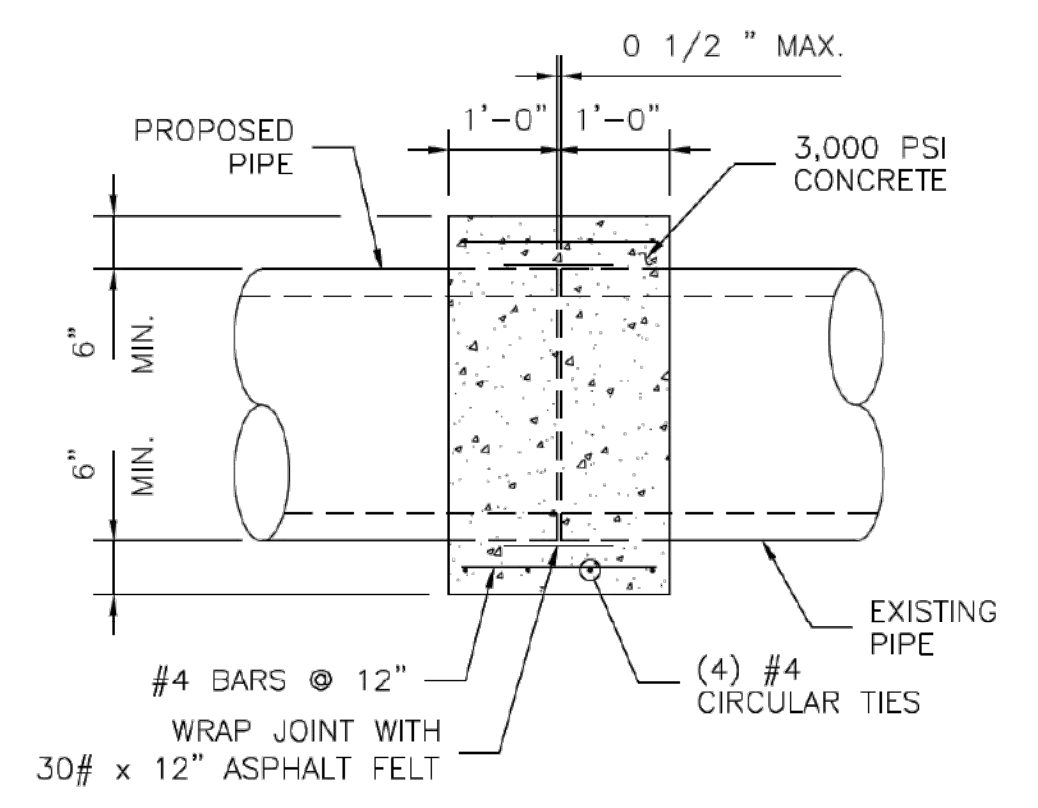


**PRECAST REINFORCED CONCRETE BOX WITH SEAL SLAB**

\* CEMENT STABILIZED SAND BACKFILL SHALL EXTEND TO BOTTOM OF SUBGRADE ON ALL PIPE OR BOXES UNDERNEATH PAVEMENT OR WITHIN 2' BACK OF CURB.

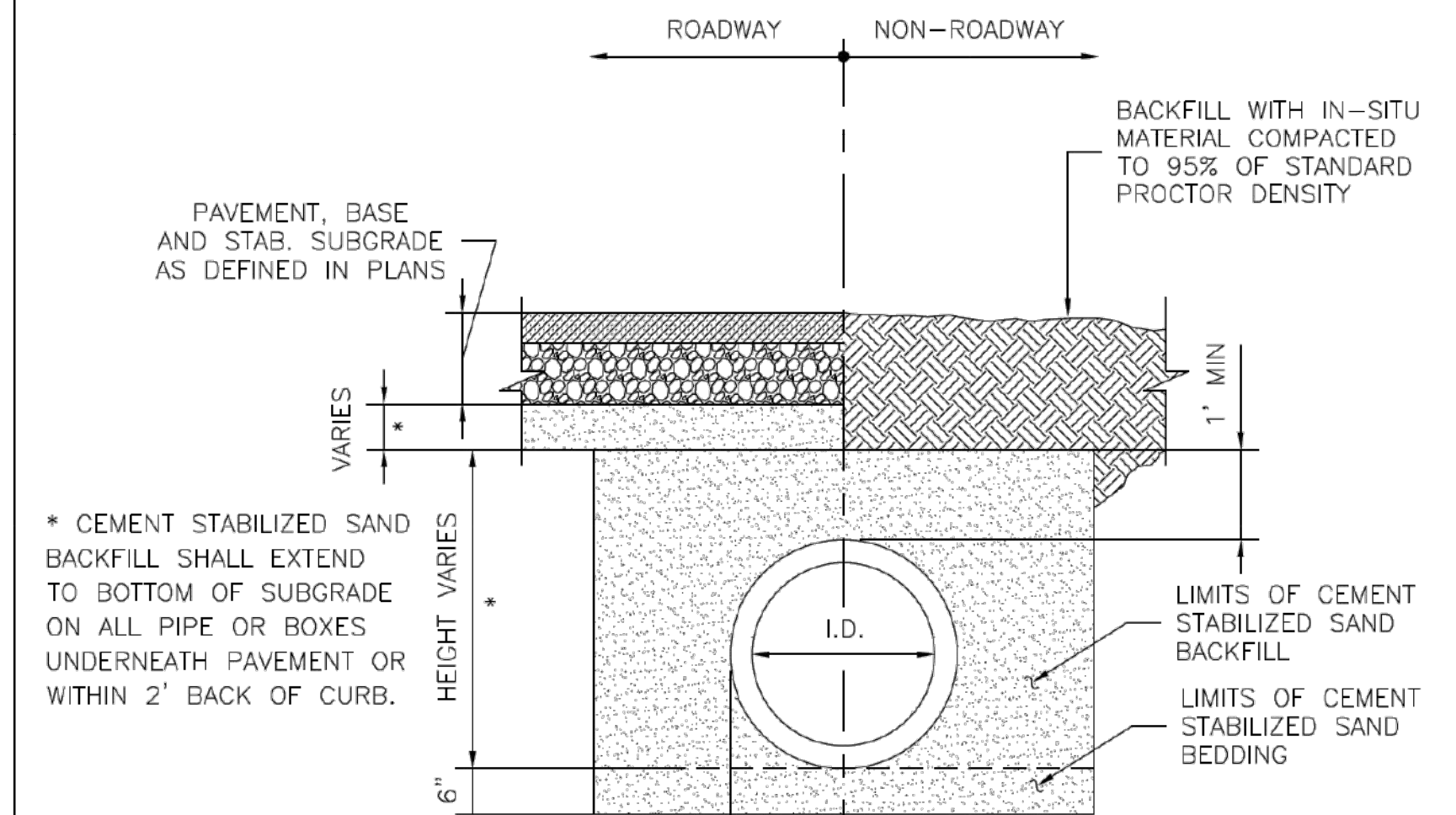


**SECTION VIEW**



**ELEVATION VIEW**

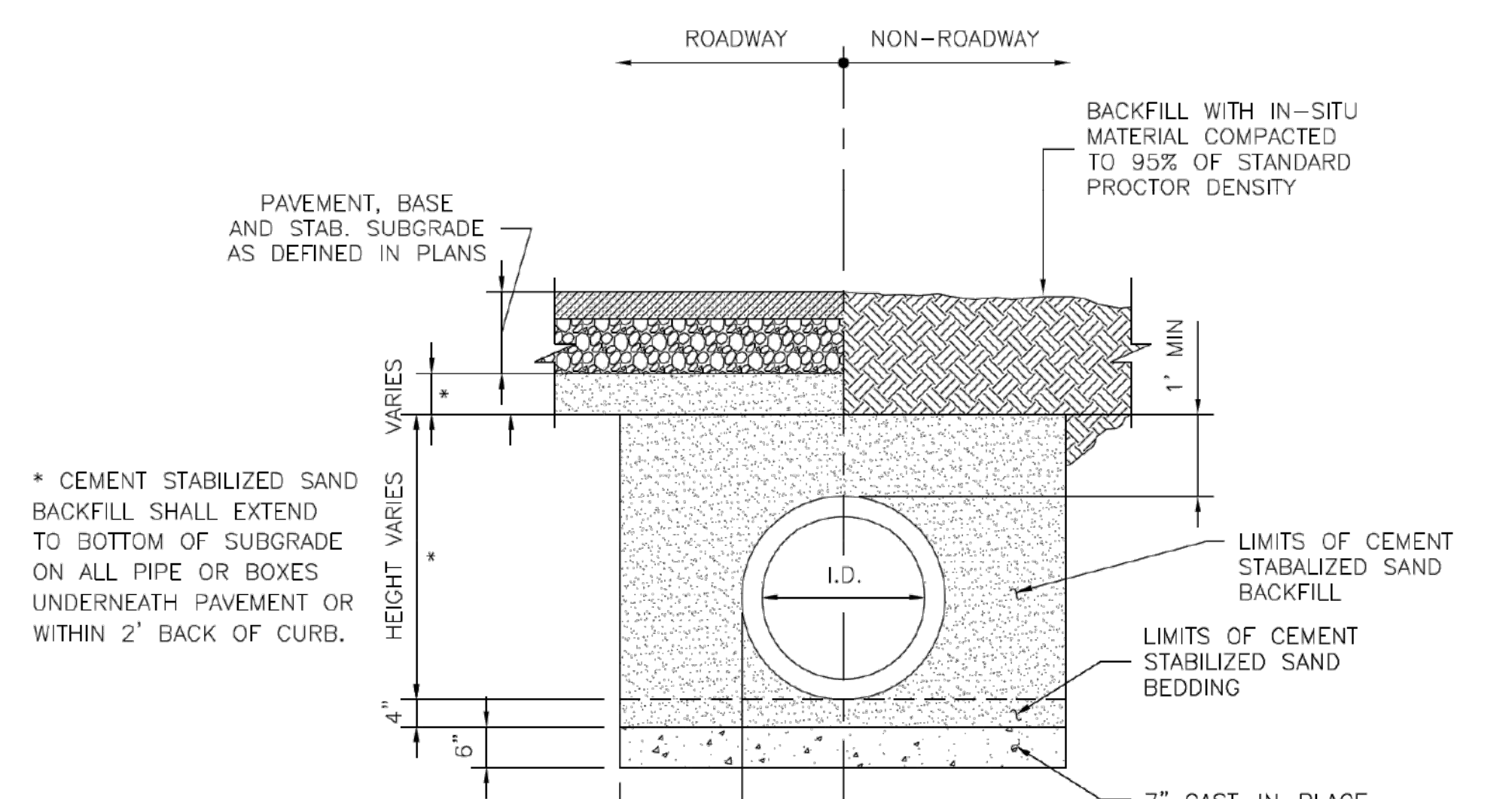
**TYPICAL CONCRETE COLLAR FOR 36" & SMALLER RCP**



**REINFORCED CONCRETE PIPE & POLYPROPYLENE (GRAY) PIPE**

\* CEMENT STABILIZED SAND BACKFILL SHALL EXTEND TO BOTTOM OF SUBGRADE ON ALL PIPE OR BOXES UNDERNEATH PAVEMENT OR WITHIN 2' BACK OF CURB.

1'-0" FOR 24" I.D. OR LESS  
1'-6" FOR I.D. 30"-36"  
2'-0" FOR I.D. 42" OR GREATER



**REINFORCED CONCRETE PIPE WITH SEAL SLAB**

\* CEMENT STABILIZED SAND BACKFILL SHALL EXTEND TO BOTTOM OF SUBGRADE ON ALL PIPE OR BOXES UNDERNEATH PAVEMENT OR WITHIN 2' BACK OF CURB.

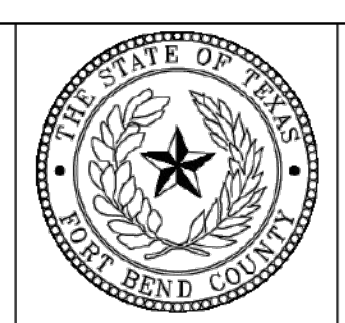
1'-0" FOR 24" I.D. OR LESS  
1'-6" FOR I.D. 30"-36"  
2'-0" FOR I.D. 42" OR GREATER

**GENERAL NOTES:**

- FOR RCP LARGER THAN 36" DIAMETER, CONCRETE COLLARS MUST BE DESIGNED BY THE ENGINEER OF RECORD.
- ALL TRENCHES IN ROW SHALL BE BACKFILLED WITH 2 SACKS/CY CEMENT STABILIZED SAND (HC ITEM 400) TO SUBGRADE, COMPACTED TO 95% STANDARD PROCTOR DENSITY BOTTOM OF SUBGRADE
- CEMENT STABILIZED SAND IS INCIDENTAL TO INSTALLATION
- USE OF POLYPROPYLENE PIPE SHALL FOLLOW HC SPEC ITEM 482 AND MUST ALSO BE APPROVED BY THE AGENCY THAT WILL MAINTAIN IT. ALL JOINTS SHALL BE WATER TIGHT AND BEDDING REQUIREMENTS SHALL FOLLOW HC ITEM SPEC ITEM 400.
- ALL OUTFALLS INTO FBC MAINTAINED DRAINAGE FACILITIES SHALL BE POLYMER COATED CMP, RCP, OR RCB, AS APPLICABLE.

NO.	REVISIONS	DATE	NAME
1	ORIGINAL STANDARD ISSUED	3-1-22	RJS
2	ADDED NOTE 3, 4, 5, & REV. DETAILS	10-1-24	RJS

FORT BEND COUNTY  
ENGINEERING DEPARTMENT

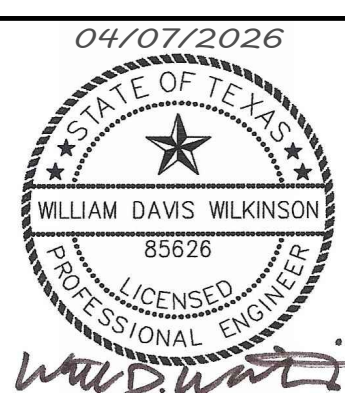


PROJECT TITLE:		FIXED STANDARD
DRAWN BY:	INIT	19
CK'D BY:	INIT	SHEET DESCRIPTION:
SCALE:	1"=1'-6"	STORM SEWER CONSTRUCTION
DATE:	10-1-24	DETAILS
APPROVED BY:		SHEET NO:

THESE DETAILS SUPERCEDE OTHER DETAILS

FBC Engineering Approval

ISSUE FOR BID 04/07/2026



Shell Federal Credit Union  
Katy Fulshear  
26620 FM 1093  
Katy, Texas 77494

FORT BEND STORM  
SEWER CONSTRUCTION  
DETAILS

C1.09