



ARCHITECTURE PLANNING INTERIOR DESIGN
 15810 PARK TEN PLACE, SUITE 300
 HOUSTON, TEXAS 77084
 713-465-4650
 www.sligroup.com

Shell Federal
CREDIT UNION
 26620 FM 1093 Rd
 Katy, TX 77494

ISSUED FOR CLIENT APPROVAL	DATE
	1/26/26
ISSUED FOR BIDDING	DATE
	4/13/2026
ISSUED FOR PERMIT	DATE
	4/13/2026
ISSUED FOR CONSTRUCTION	DATE

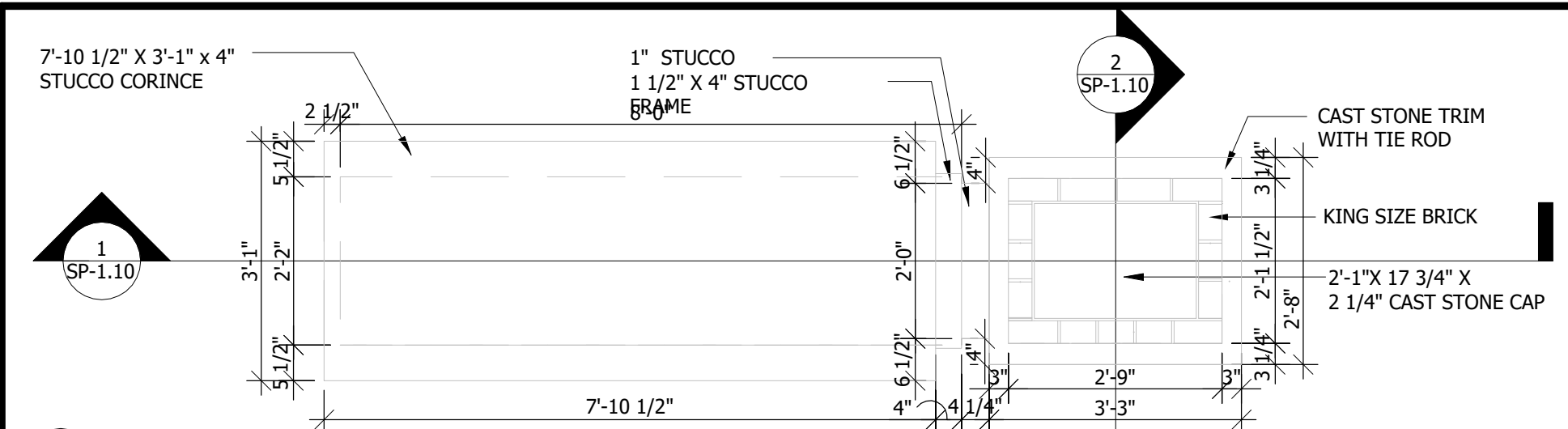
REVISIONS		
MARK	DESCRIPTION	DATE

The information, ideas, designs, details, layouts, techniques, features, arrangements, plans, sequences, dimensions, allowances, tolerances, connections, specifications, intentions, technology or embodiments, as illustrated, arranged, displayed, noted, recorded, indicated, represented, disclosed, evidenced, detailed or otherwise reduced to tangible form hereon, either expressly, inherently or by implication, are the confidential and proprietary information of SLI Design, Inc., and shall not be used for any purpose other than the specific project or undertaking identified on the drawing title block or legend for which they are and have been prepared by SLI Design, Inc. Any other reproduction, disclosure or use of any portion of the confidential and proprietary information of SLI Design, Inc., shall be a breach of the obligation of confidence created by the acceptance of this drawing from SLI Design, Inc. for a specific project or contract. Any copying, duplicating, reproducing, utilization, alteration, modification, revision or change to this drawing, is expressly prohibited unless done with the prior written consent or approval of SLI Design, Inc., and shall not be undertaken without receipt of such prior written approval. This drawing is loaned by SLI Design, Inc., for the limited purpose of complying with a specific contract. The drawing remains the property of SLI Design, Inc., and shall be returned upon request or completion of the contract, unless specifically authorized by contract, under which it was loaned.

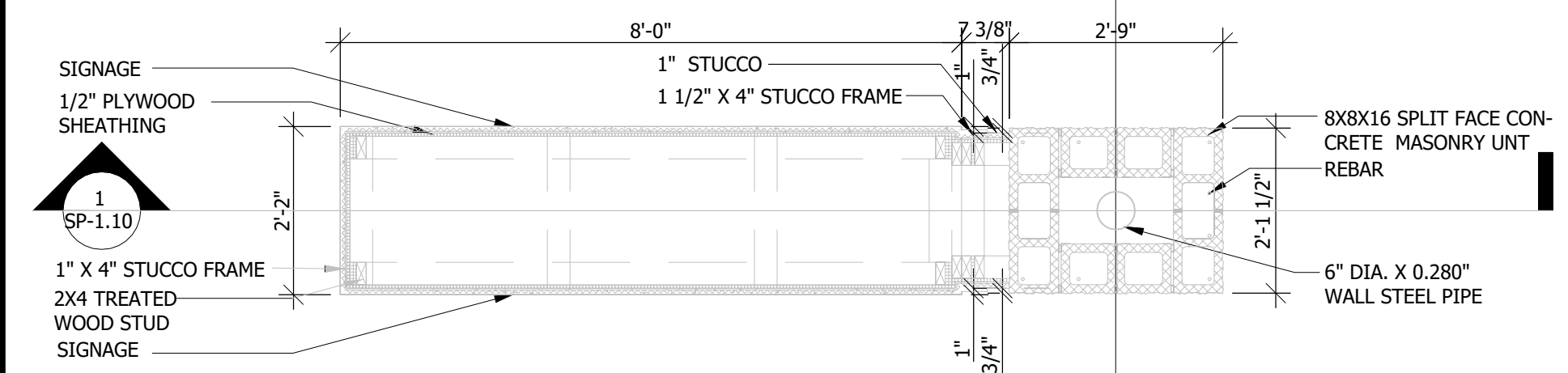
PRINT DATE: 4/14/2026 11:59:08 AM



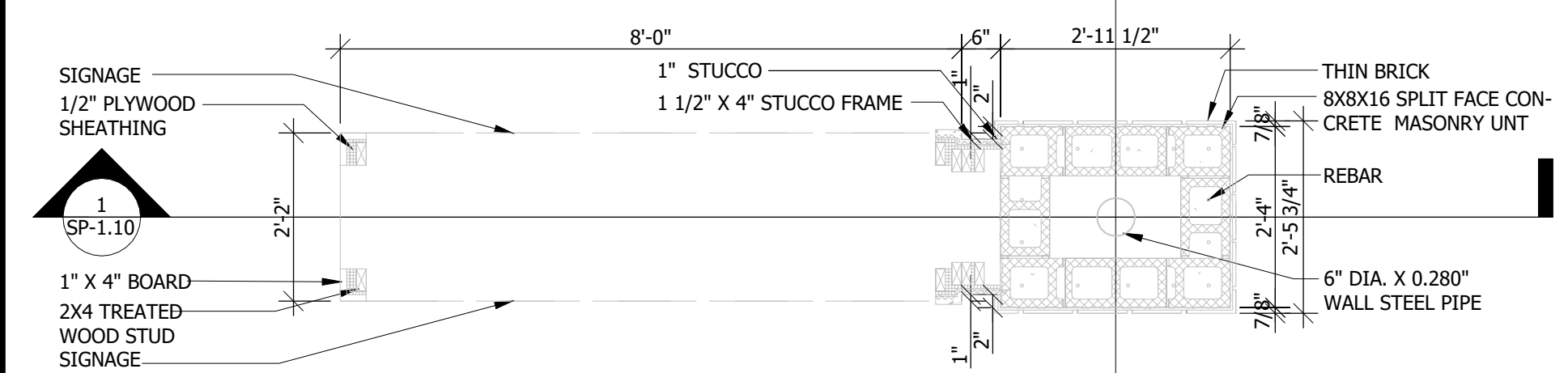
DRAWING TITLE	MONUMENT WALL	
DRAWN BY	Author	SHEET NO.
CHECKED BY	Checker	SP-1.10
APPROVED BY	Approver	



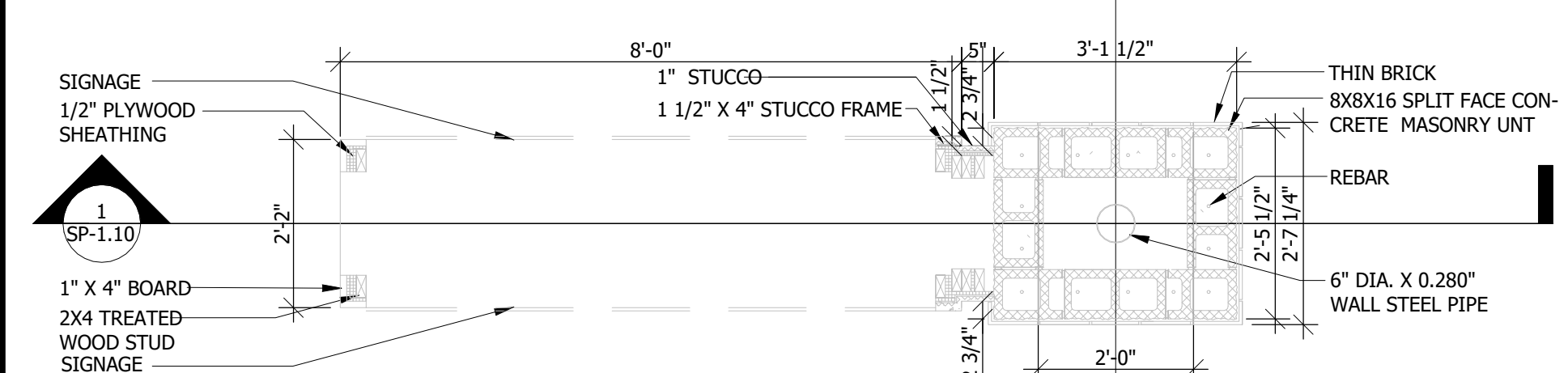
12 MONUMENT WALL PLAN - CORINCE
 1/2" = 1'-0"



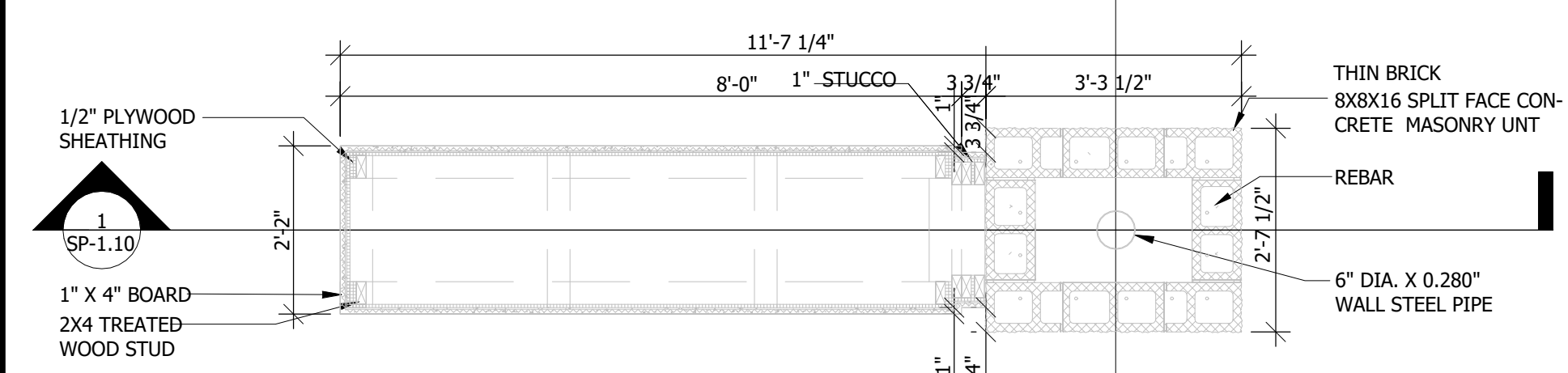
11 MONUMENT WALL PLAN - CMU COURSE 18
 1/2" = 1'-0"



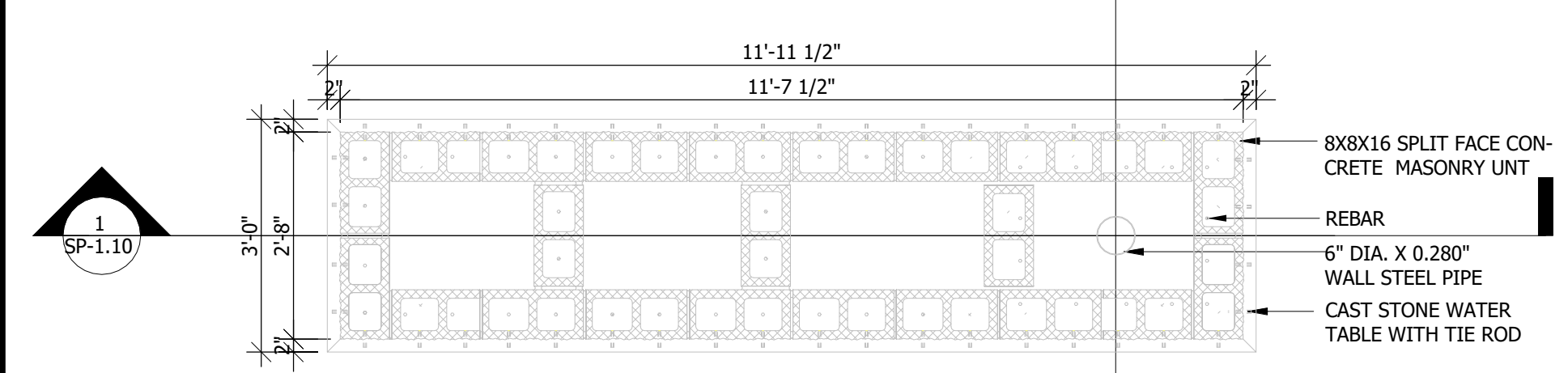
10 MONUMENT WALL PLAN - CMU COURSE 13
 1/2" = 1'-0"



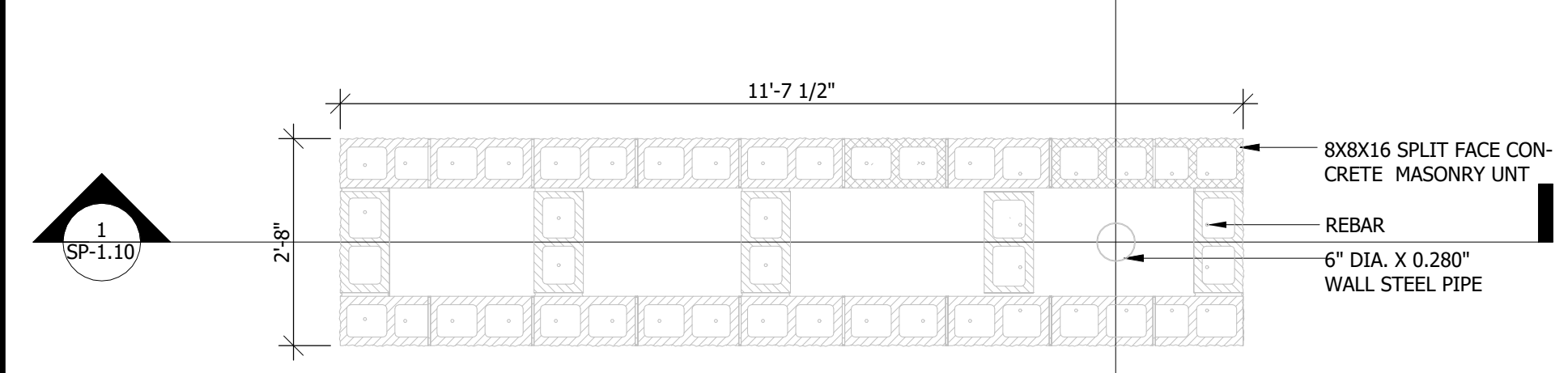
9 MONUMENT WALL PLAN - CMU COURSE 9
 1/2" = 1'-0"



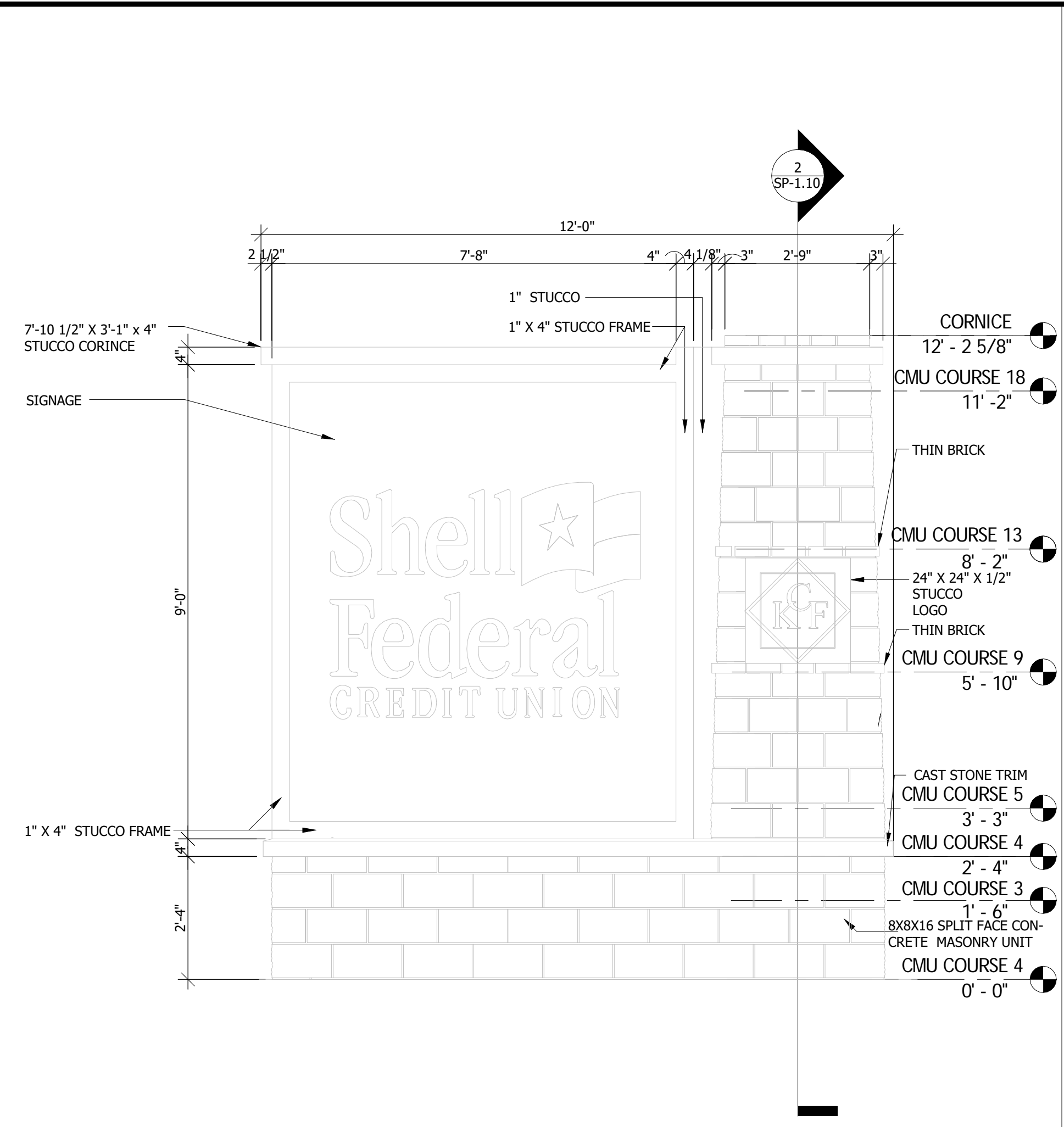
8 MONUMENT WALL PLAN - CMU COURSE 5
 1/2" = 1'-0"



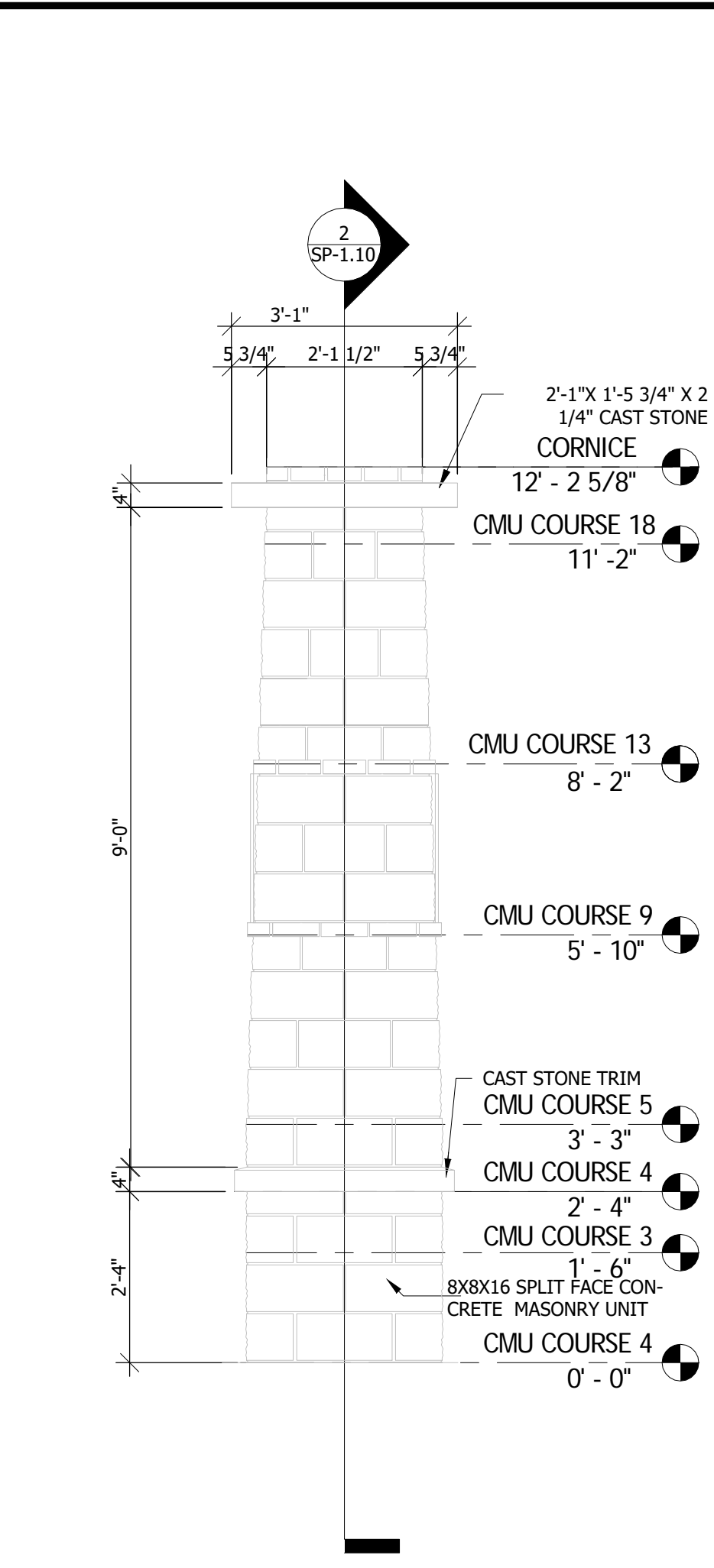
7 MONUMENT WALL PLAN - CMU COURSE 4
 1/2" = 1'-0"



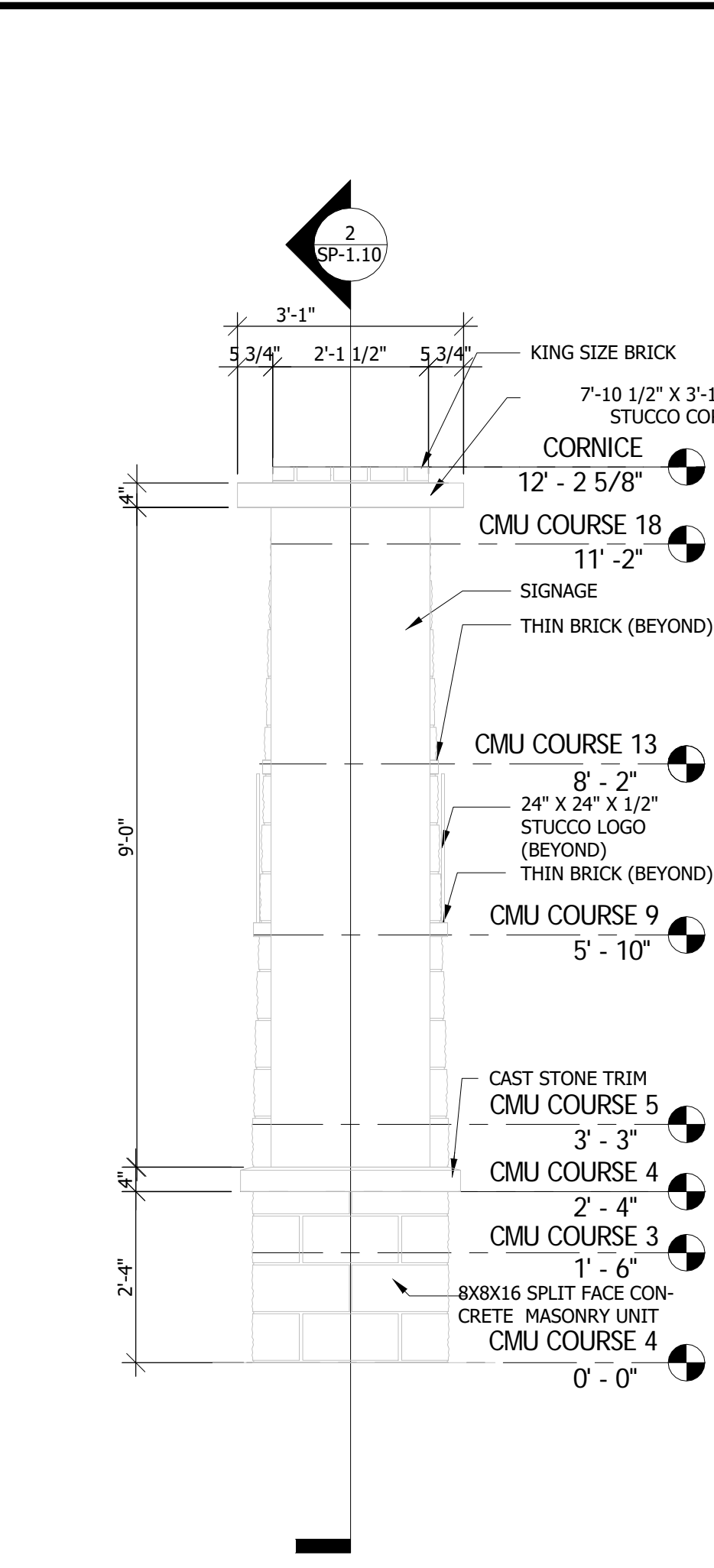
6 MONUMENT WALL PLAN - CMU COURSE 1
 1/2" = 1'-0"



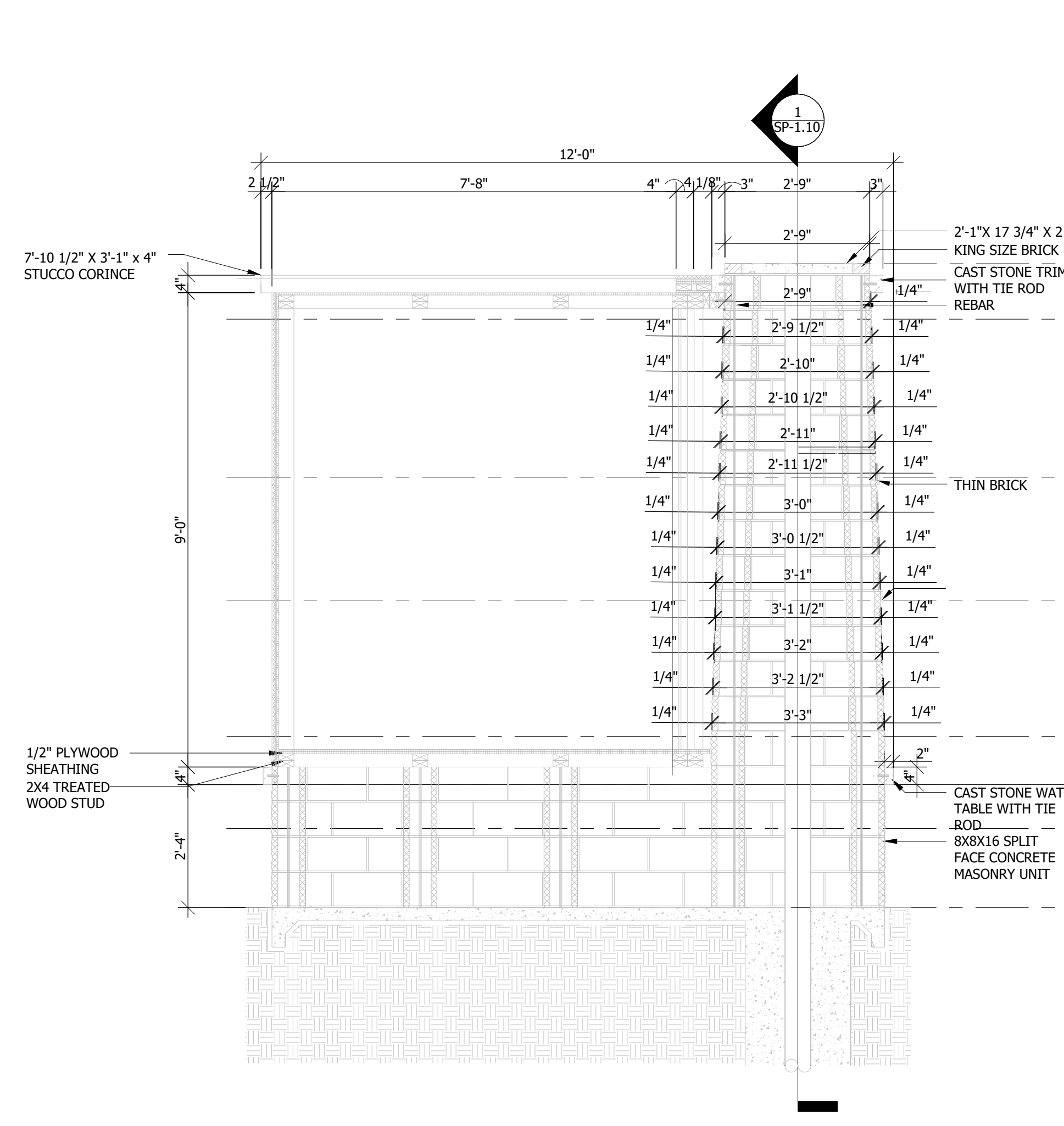
5 MONUMENT WALL - LONGITUDINAL ELEVATION
 1/2" = 1'-0"



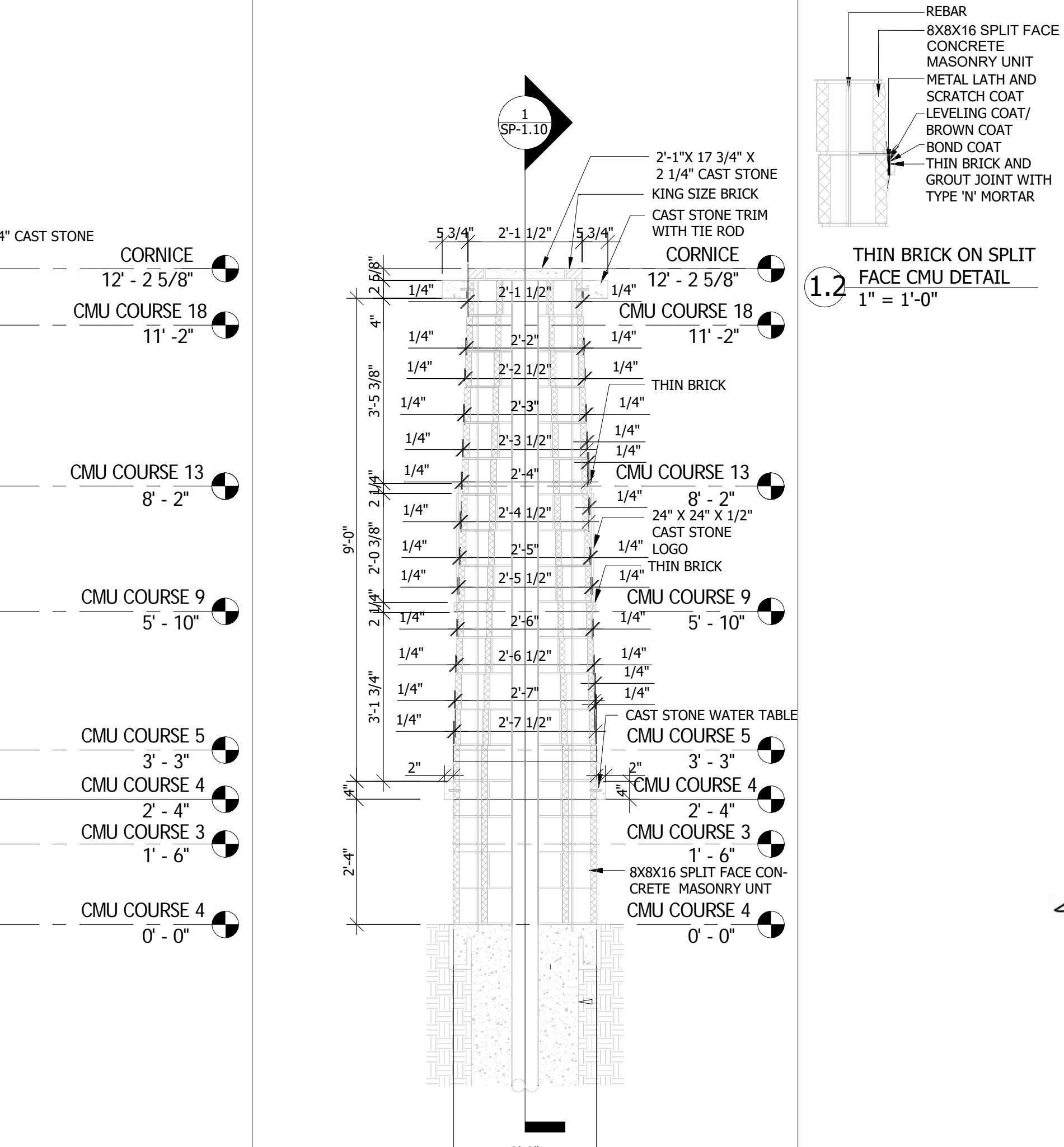
4 MONUMENT WALL - TRANSVERSE CMU ELEVATION
 1/2" = 1'-0"



3 MONUMENT WALL - TRANSVERSE SIGNAGE ELEVATION
 1/2" = 1'-0"



2 MONUMENT WALL - LONGITUDINAL SECTION
 1/2" = 1'-0"



1 MONUMENT WALL - TRANSVERSE SECTION
 1/2" = 1'-0"

C:\Users\161\Documents\Shell_Federal_Credit_Union_Corinche_R2026-3_Burrows.rvt