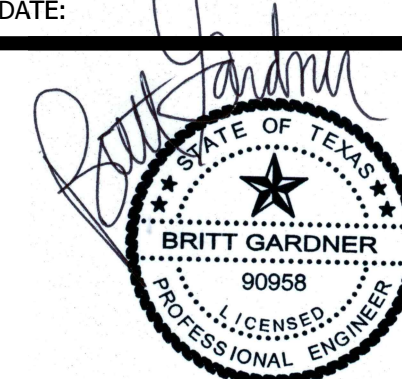


ISSUED FOR CLIENT APPROVAL	DATE
ISSUED FOR BIDDING	04/01/2026
ISSUED FOR PERMIT	04/01/2026
ISSUED FOR CONSTRUCTION	

REVISIONS		
MARK	DESCRIPTION	DATE

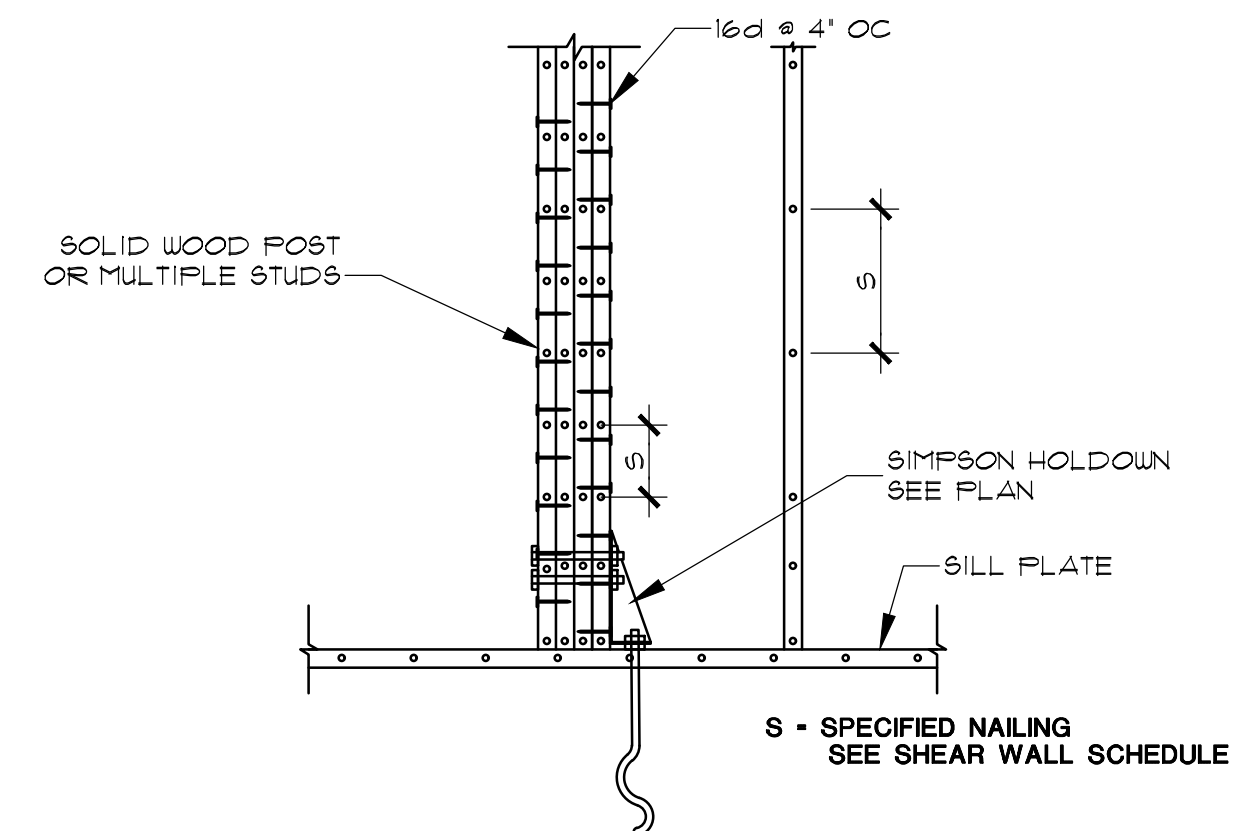
The information, ideas, designs, details, layouts, techniques, features, arrangements, plans, sequences, dimensions, allowances, tolerances, connotations, specifications, intentions, technology or embodiments, as illustrated, arranged, displayed, noted, recorded, indicated, represented, disclosed, evidenced, detailed or otherwise reduced to tangible form herein, either expressly, inherently or by implication, are the confidential and proprietary information of SLI Design, Inc., and shall not be used for any purpose other than the specific project or undertaking identified on the drawing title block or legend for which they are and have been prepared by SLI Design, Inc. Any other reproduction, disclosure or use of any portion of the confidential and proprietary information of SLI Design, Inc., shall be a breach of the obligation of confidence created by the acceptance of this drawing from SLI Design, Inc. for a specific project or Contract. Any copying, duplicating, reproducing, utilization, alteration, modification, revision or change to this drawing, is expressly prohibited unless done with the prior written consent or approval of SLI Design, Inc., and shall not be undertaken without receipt of such prior written approval. This drawing is loaned by SLI Design, Inc., for the limited purpose of complying with a specific Contract. The drawing remains the property of SLI Design, Inc., and shall be returned upon request or completion of the contract, unless specifically authorized by Contract, under which it was loaned.

PRINT DATE: 04/01/2026

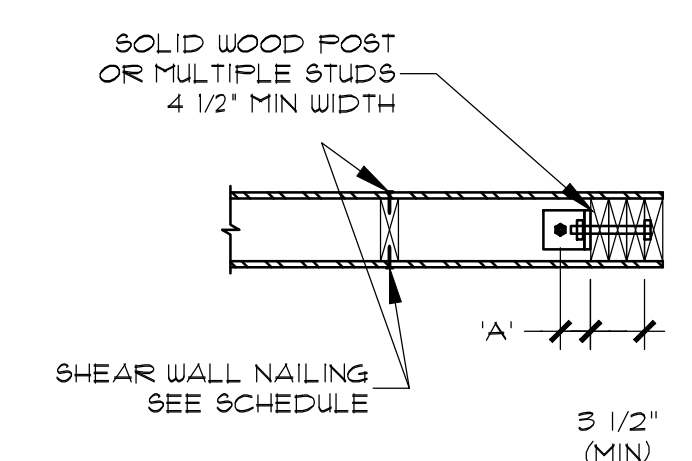


DRAWING TITLE		
FOUNDATION DETAILS		
DRAWN BY	AD	SHEET NO.
CHECKED BY	BG	S3.03
APPROVED BY	BG	

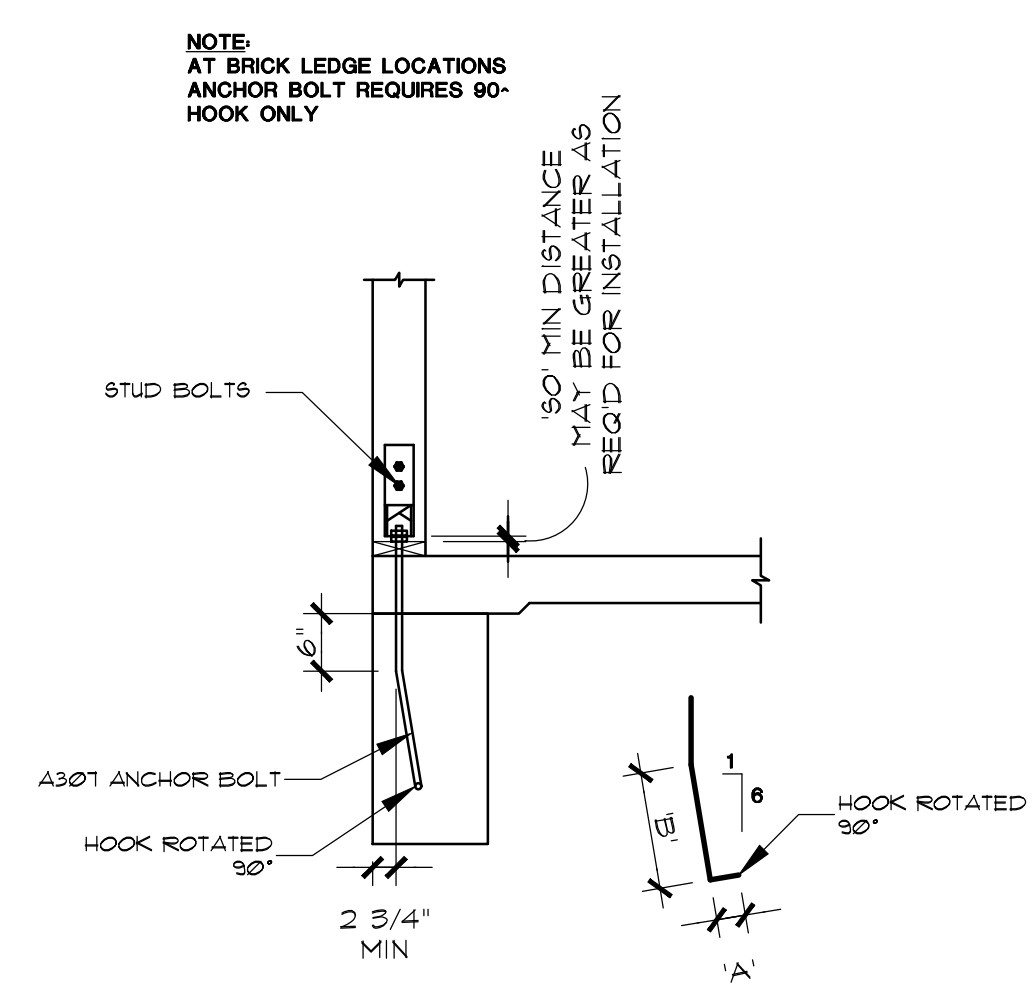
HOLDOWN	DISTANCE 'A'
HDU2	1 5/16"
HDU4	1 5/16"
HDU5	1 5/16"
HDU8	1 3/8"
HDU11	1 3/8"
HDU14	1 9/16"



6 HOLDOWN STUD NAILING
 SCALE: 3/4" = 1'-0"



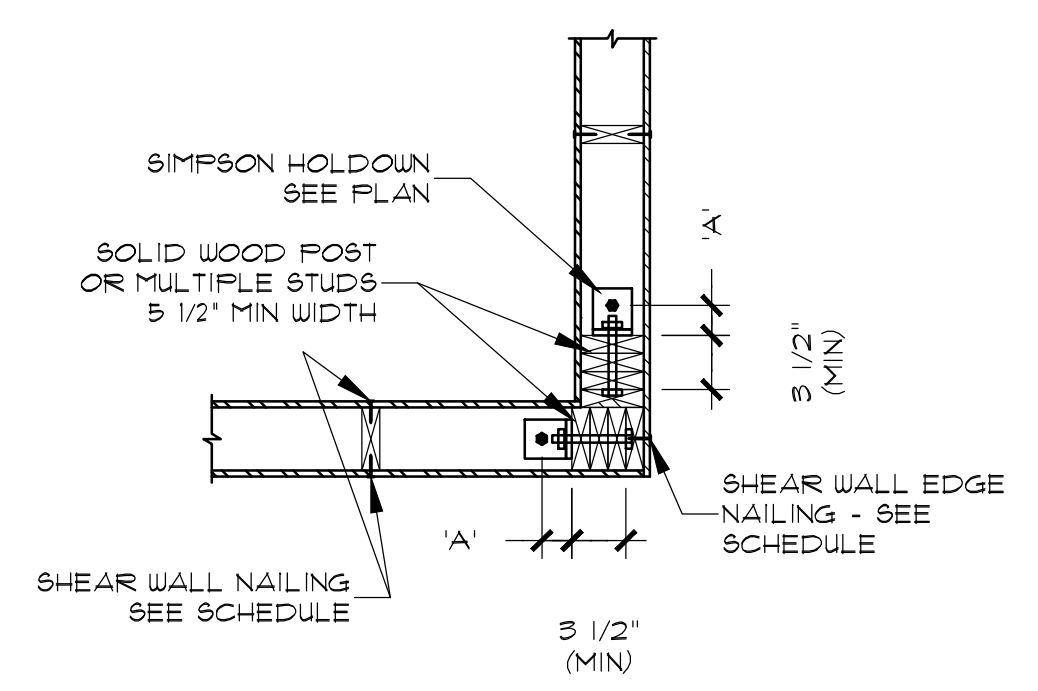
3 OPENING HOLDOWN PLAN
 SCALE: 3/4" = 1'-0"



5 DETAIL
 SCALE: 3/4" = 1'-0"

HOLDOWN	SDS SCREW	ANCHOR BOLT DIA	3000 PSI		'80'	SIMPSON ANCHOR BOLT
			A	B		
HDU2	(6)-SDS 1/4" x 2 1/2"	5/8"	4 1/2"	12"	3/8"	SSTB16
HDU4	(10)-SDS 1/4" x 2 1/2"	5/8"	4 1/2"	12"	1/2"	SSTB16
HDU5	(14)-SDS 1/4" x 2 1/2"	5/8"	4 1/2"	12"	9/16"	SSTB28
HDU8	(20)-SDS 1/4" x 2 1/2"	7/8"	4 1/2"	15"	9/16"	SSTB28
HDU11	(30)-SDS 1/4" x 2 1/2"	1"	4 1/2"	15"	9/16"	
HDU14	(36)-SDS 1/4" x 2 1/2"	1"	4 1/2"	15"	5/8"	

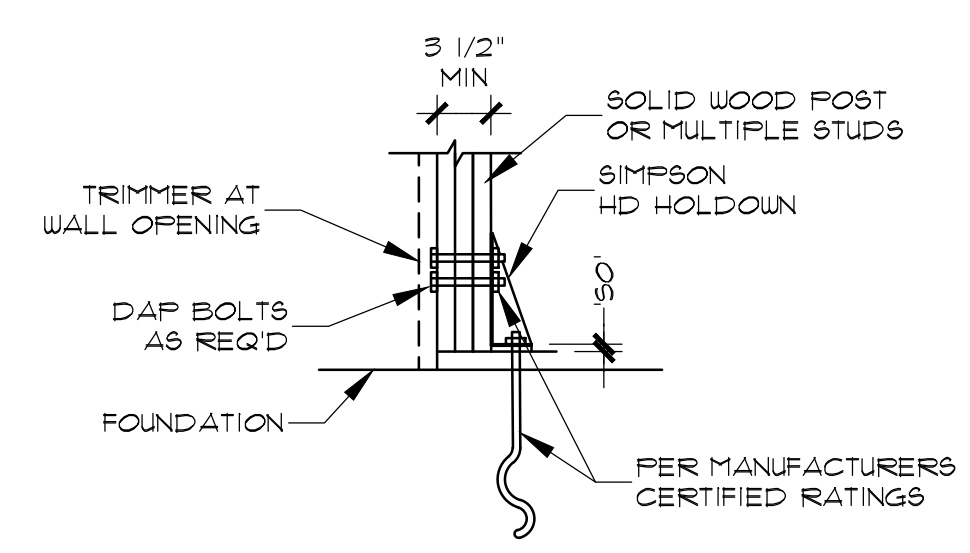
HOLDOWN	ALTERNATE ANCHOR BOLT
HDU2	5/8" x 5" EMBED HILTI HIT HY150 ADHESIVE ANCHOR W/ "HAS" ROD
HDU4	5/8" x 5" EMBED HILTI HIT HY150 ADHESIVE ANCHOR W/ "HAS" ROD
HDU5	5/8" x 7 1/2" EMBED HILTI HIT HY150 ADHESIVE ANCHOR W/ "HAS" ROD
HDU8	7/8" x 7 1/2" EMBED HILTI HIT HY150 ADHESIVE ANCHOR W/ "HAS" ROD
HDU11	1" x 11 1/2" EMBED HILTI HIT HY150 ADHESIVE ANCHOR W/ "HAS" ROD
HDU14	1" x 12 3/8" EMBED HILTI HIT HY150 ADHESIVE ANCHOR W/ "HAS" ROD



4 CORNER HOLDOWN PLAN
 SCALE: 3/4" = 1'-0"

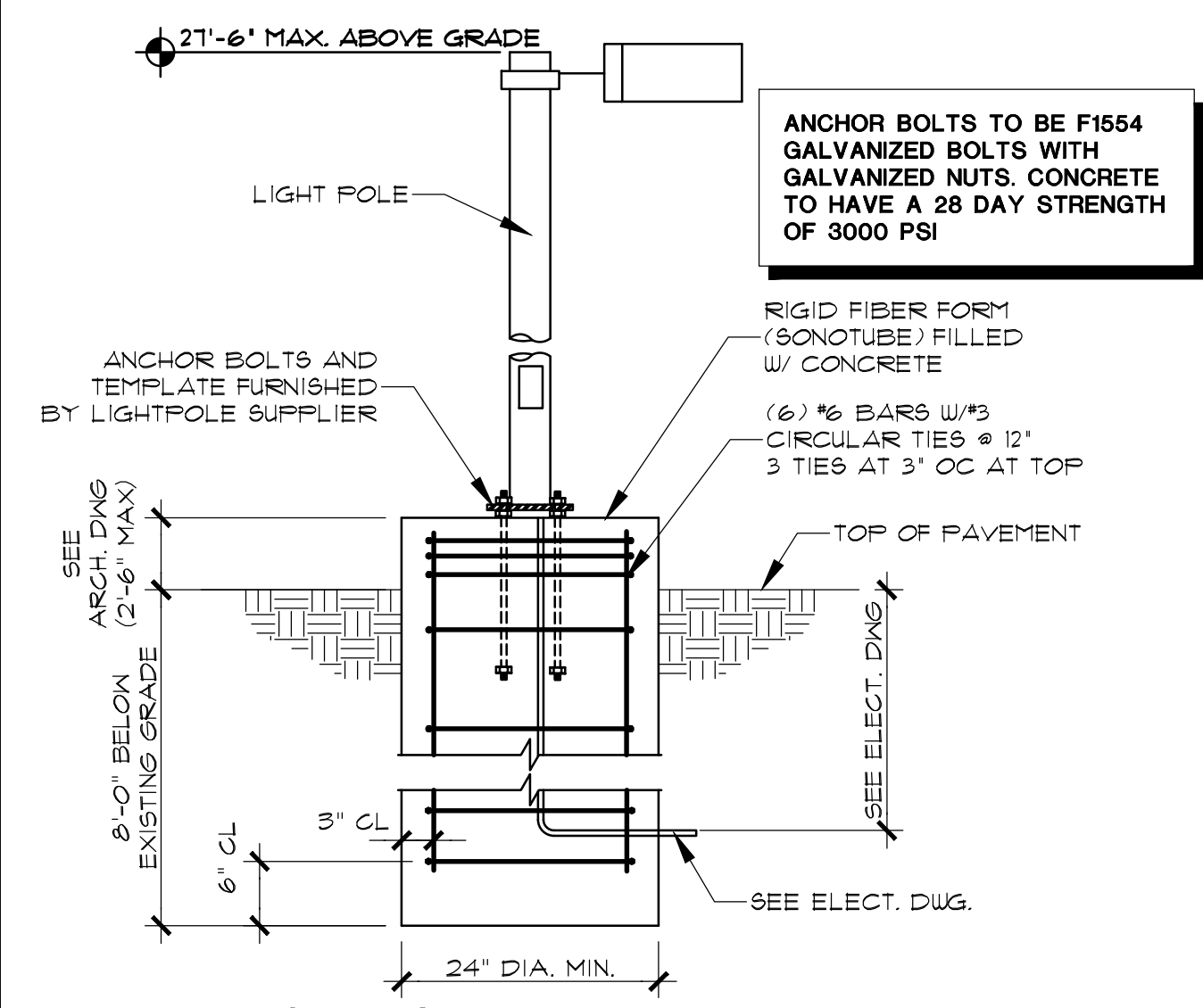
9 DETAIL
 SCALE: 3/4" = 1'-0"

8 DETAIL
 SCALE: 3/4" = 1'-0"

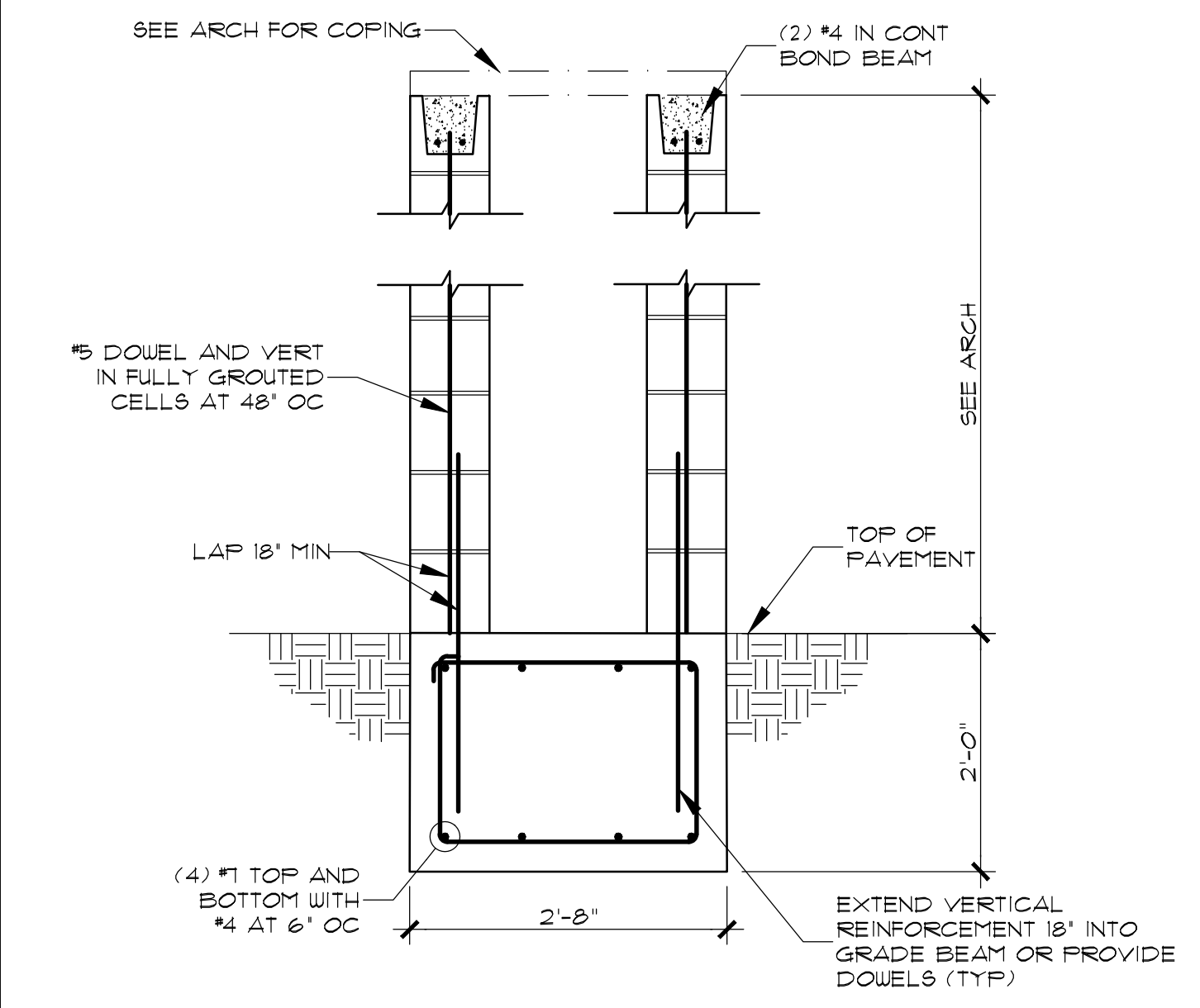


7 HOLDOWN DETAIL
 SCALE: 3/4" = 1'-0"

12 DETAIL
 SCALE: 3/4" = 1'-0"



11 LIGHTPOLE FOUNDATION DETAIL
 SCALE: 3/4" = 1'-0"



10 MONUMENT SIGN DETAIL
 SCALE: 3/4" = 1'-0"