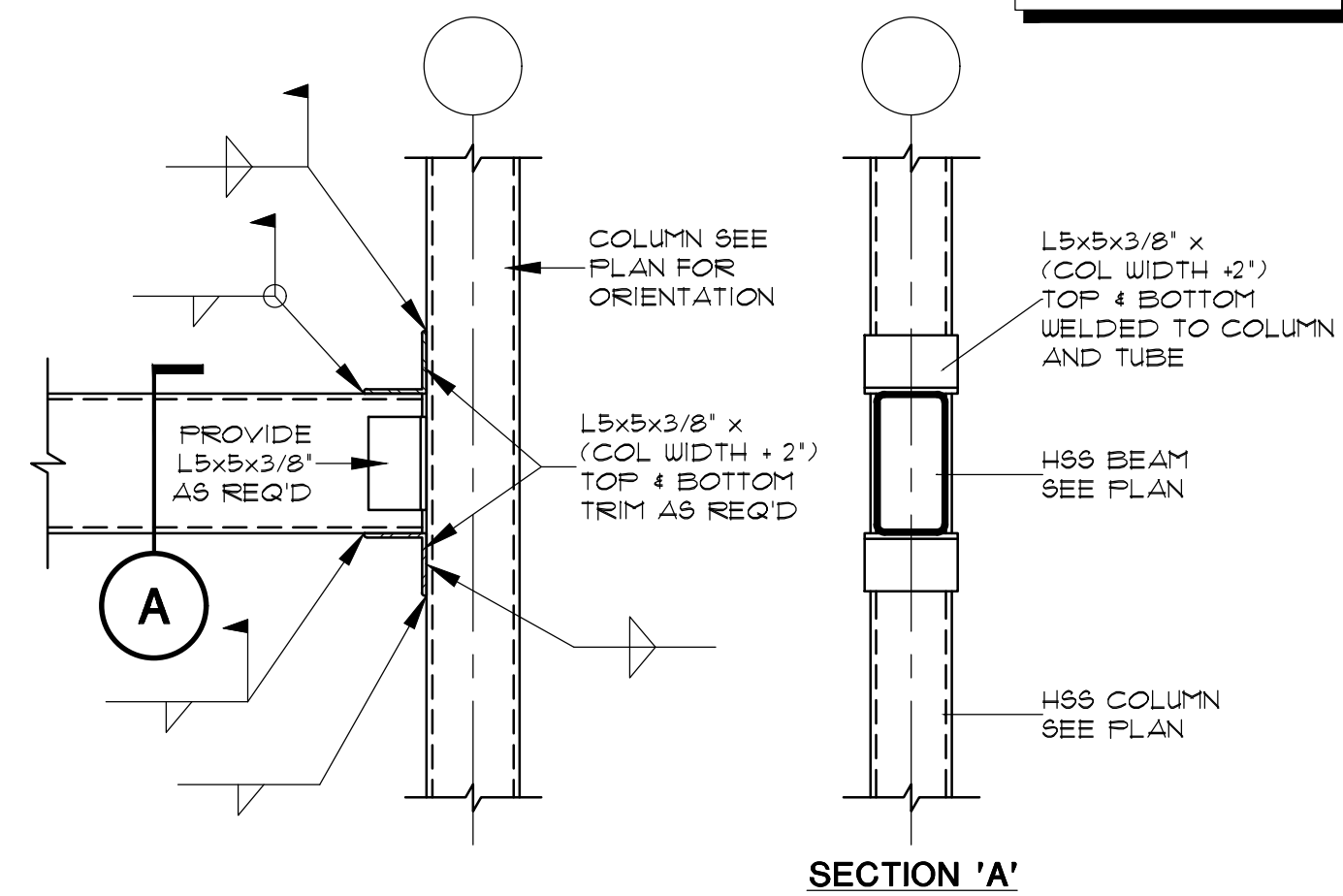
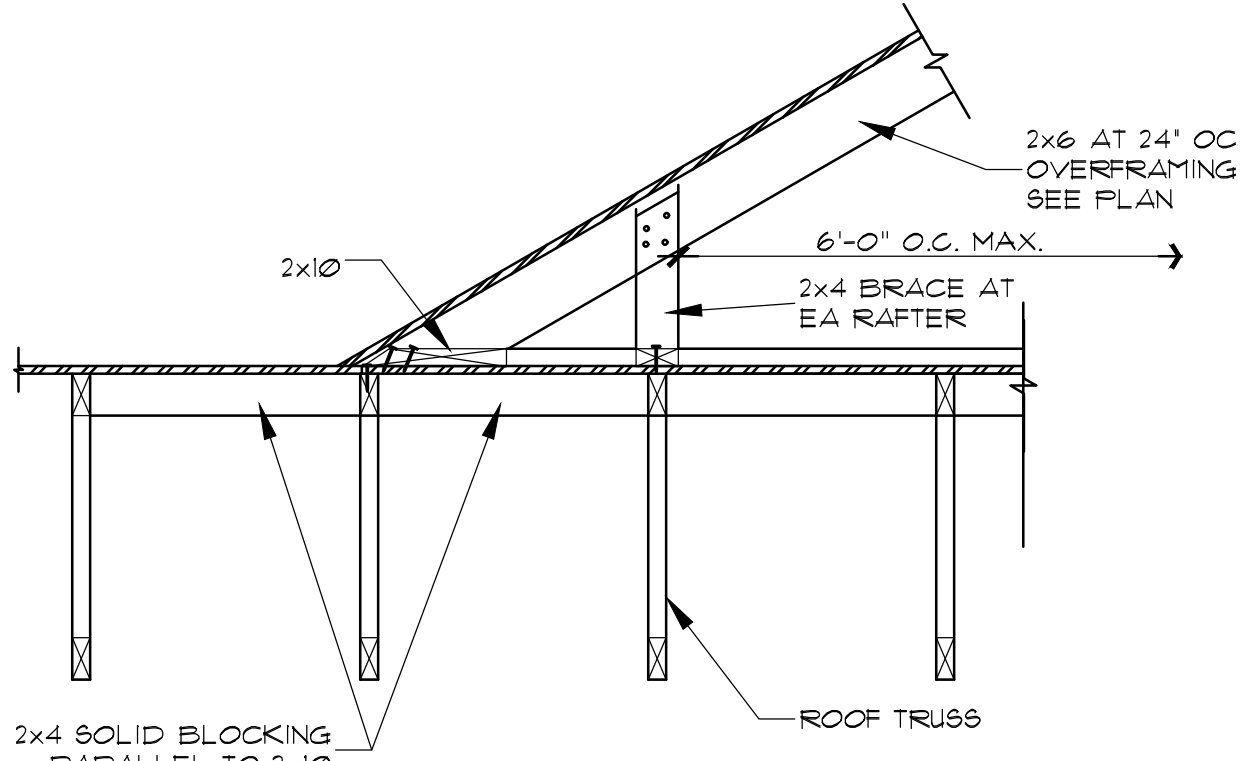


NOTE:  
WHERE HSS BEAM IS NOT CENTERED  
ON COLUMN, INCREASE ANGLE  
LENGTH AS REQUIRED.

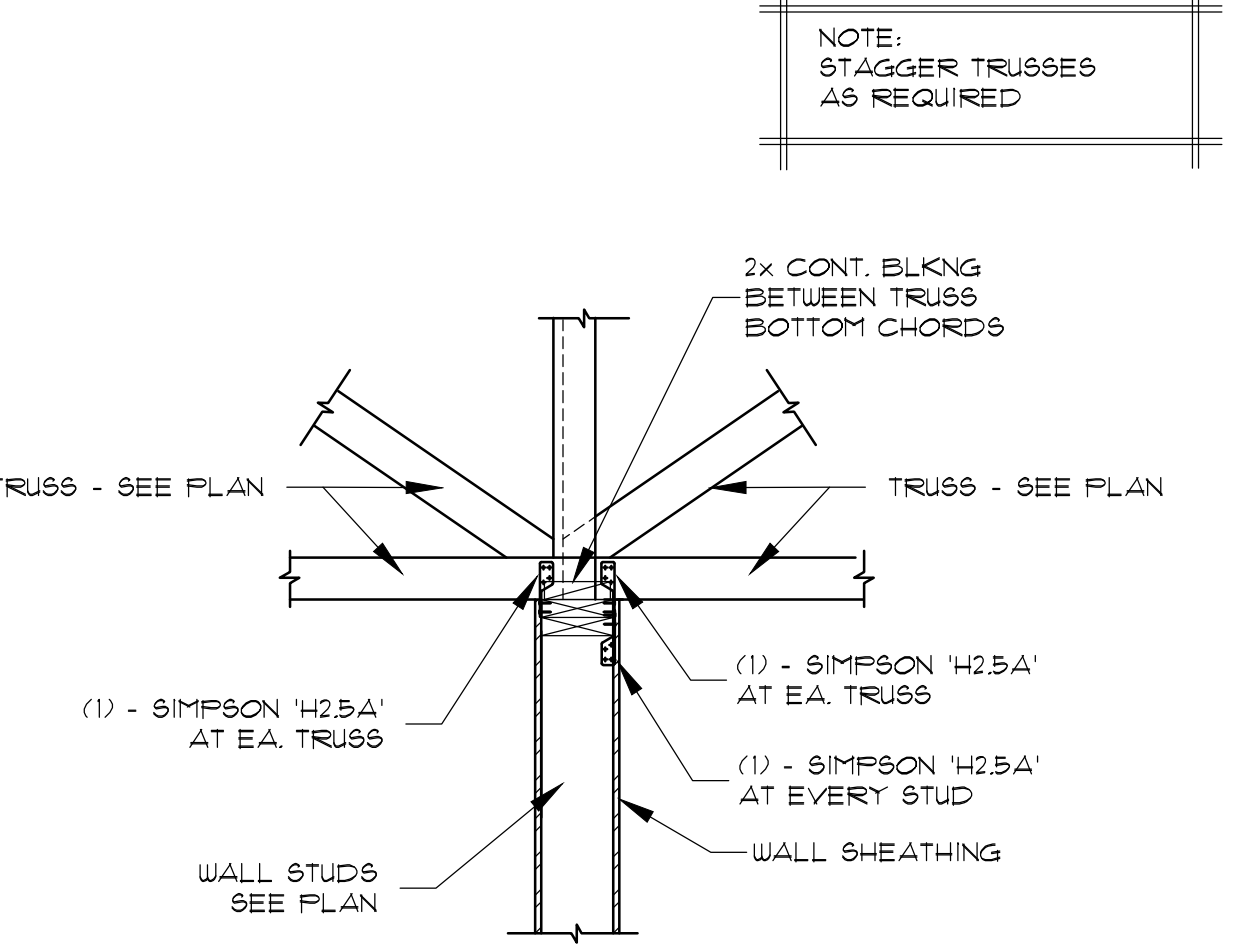
NOTE:  
PROVIDE 3/8" CAP  
PLATE EACH END OF  
ALL HSS MEMBERS



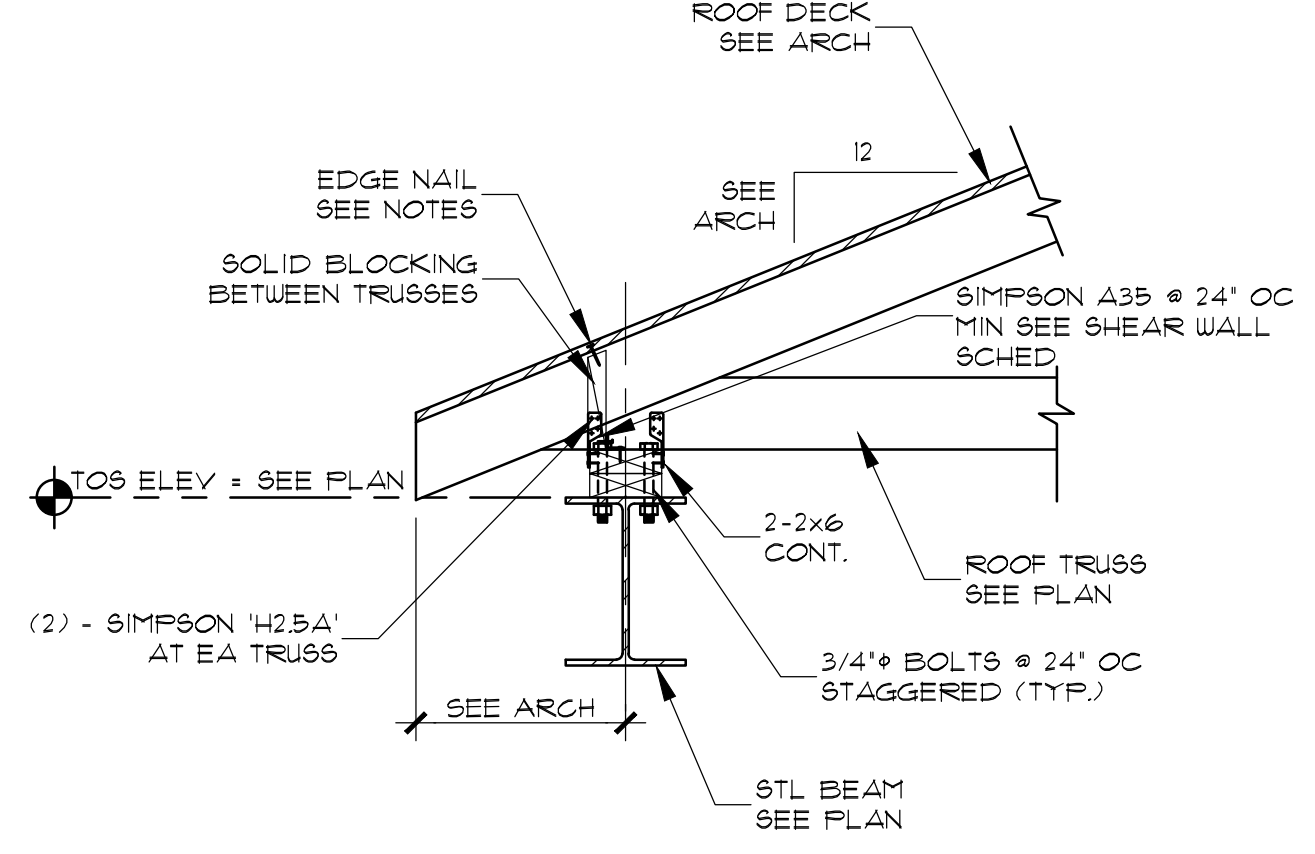
**3** TYPICAL TUBE TO COLUMN CONNECTION DETAIL  
SCALE: 3/4" = 1'-0"



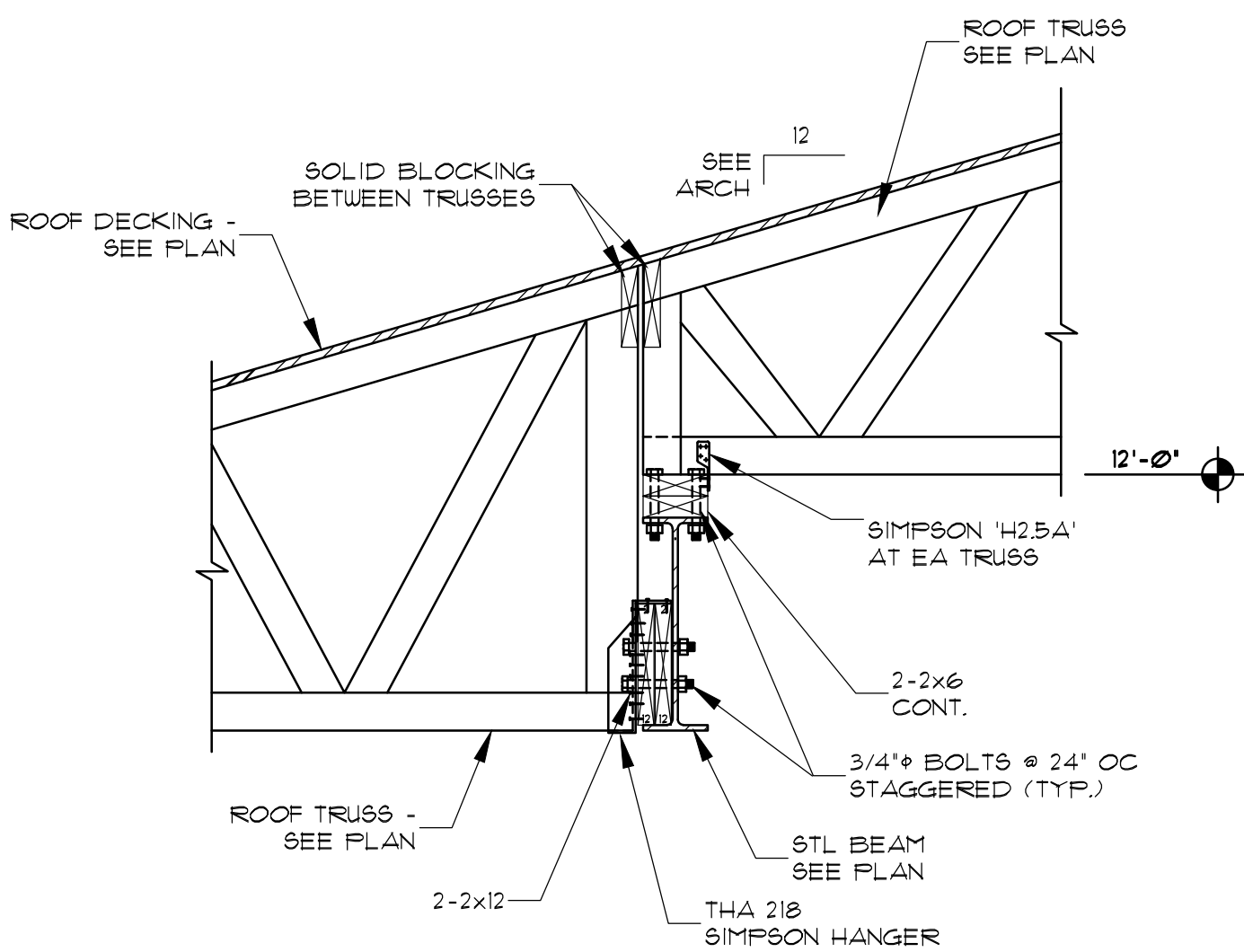
**9** SECTION AT OVERFRAMING  
SCALE: 3/4" = 1'-0"



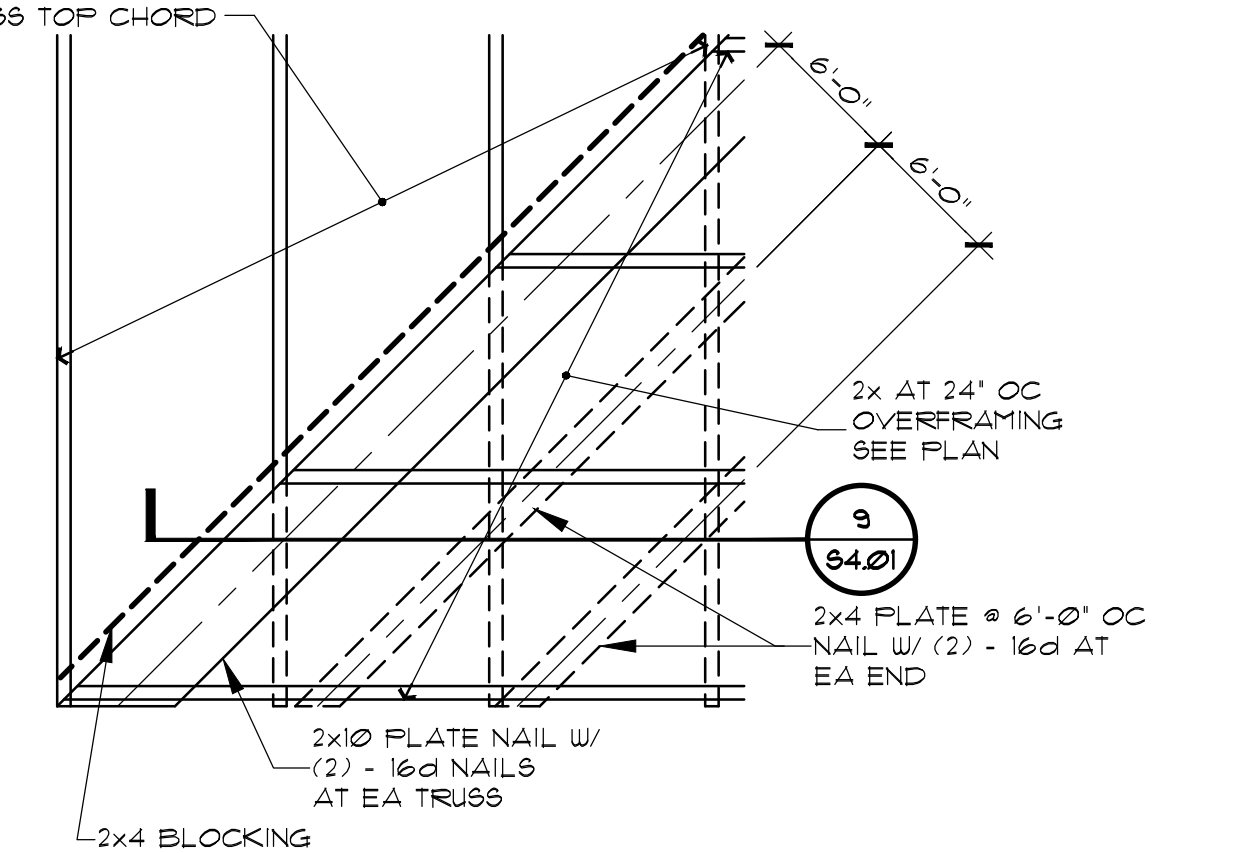
**6** TYPICAL INTERIOR LOAD-BEARING WALL SUPPORTING TRUSSES  
SCALE: 3/4" = 1'-0"



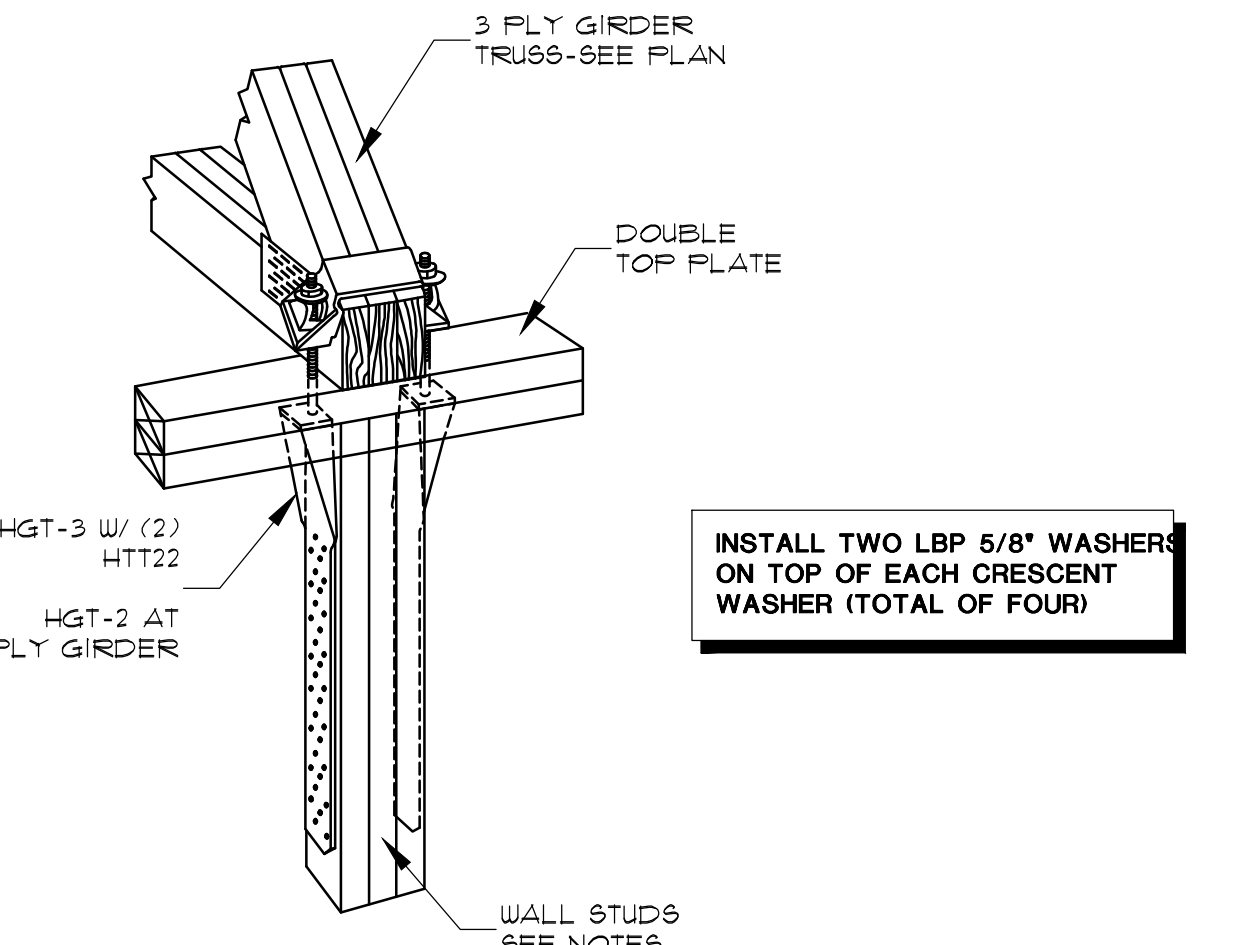
**3** DETAIL AT DRIVE THRU AND TOWER  
SCALE: 3/4" = 1'-0"



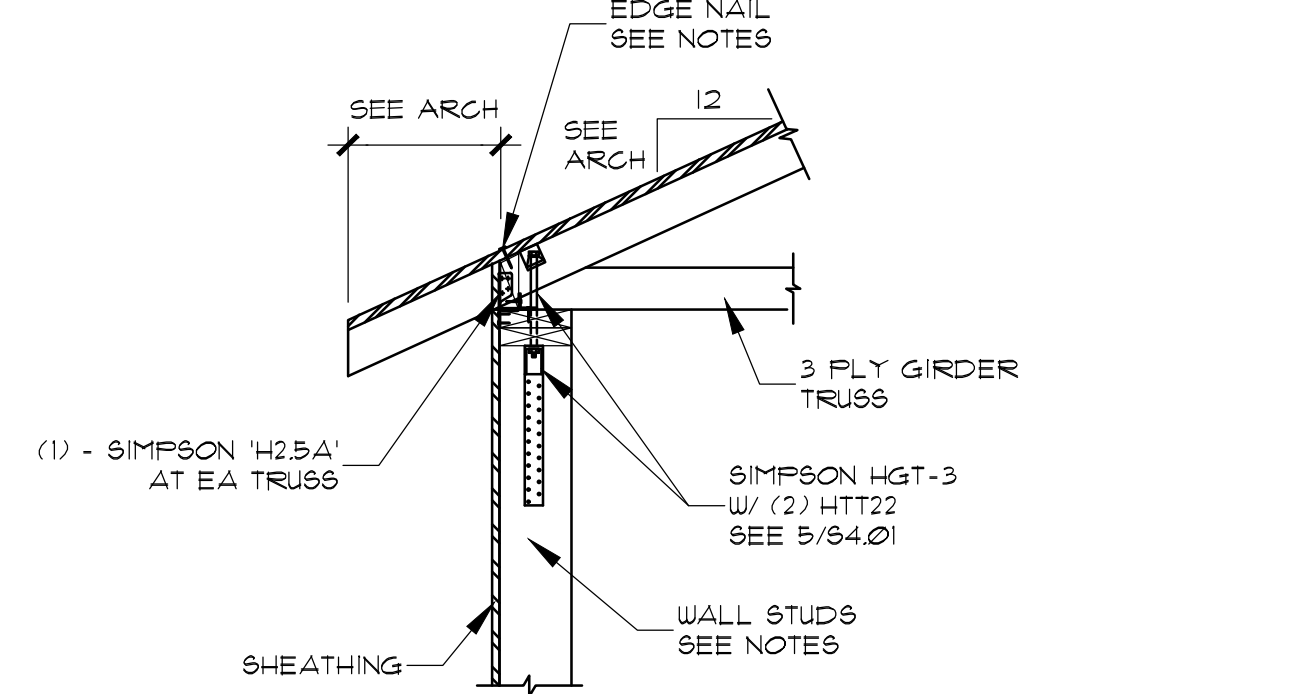
**11** DETAIL  
SCALE: 3/4" = 1'-0"



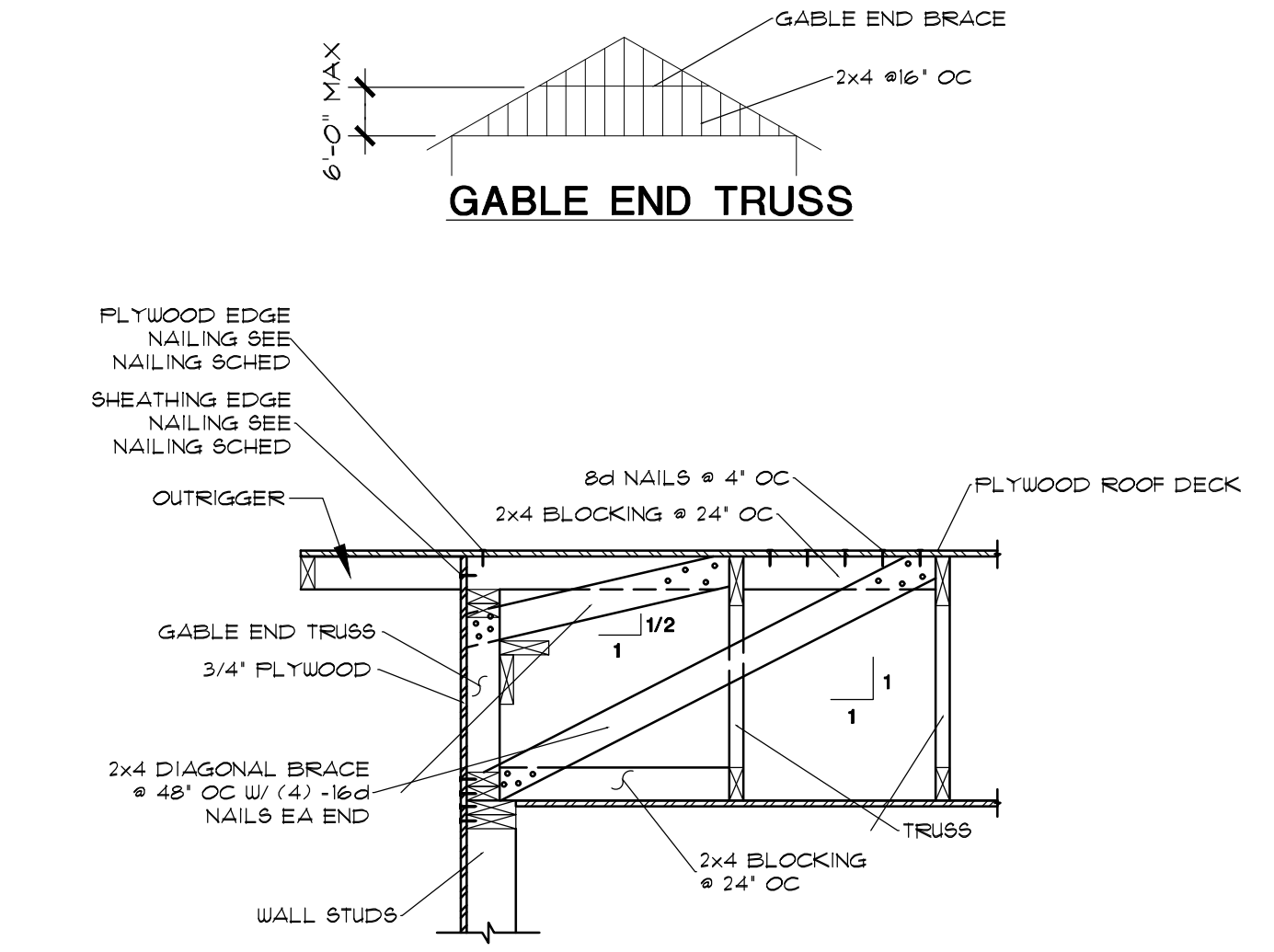
**8** PLAN AT OVERFRAMING  
SCALE: 3/4" = 1'-0"



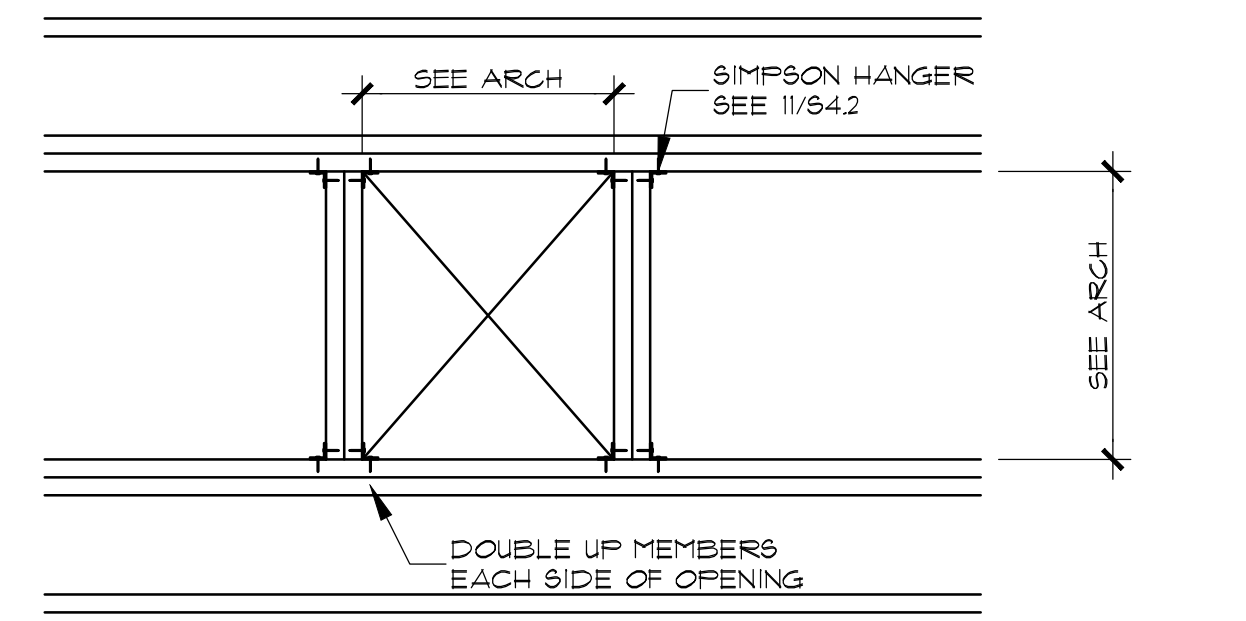
**5** GIRDER TRUSS HOLDOWN DETAIL  
SCALE: 3/4" = 1'-0"



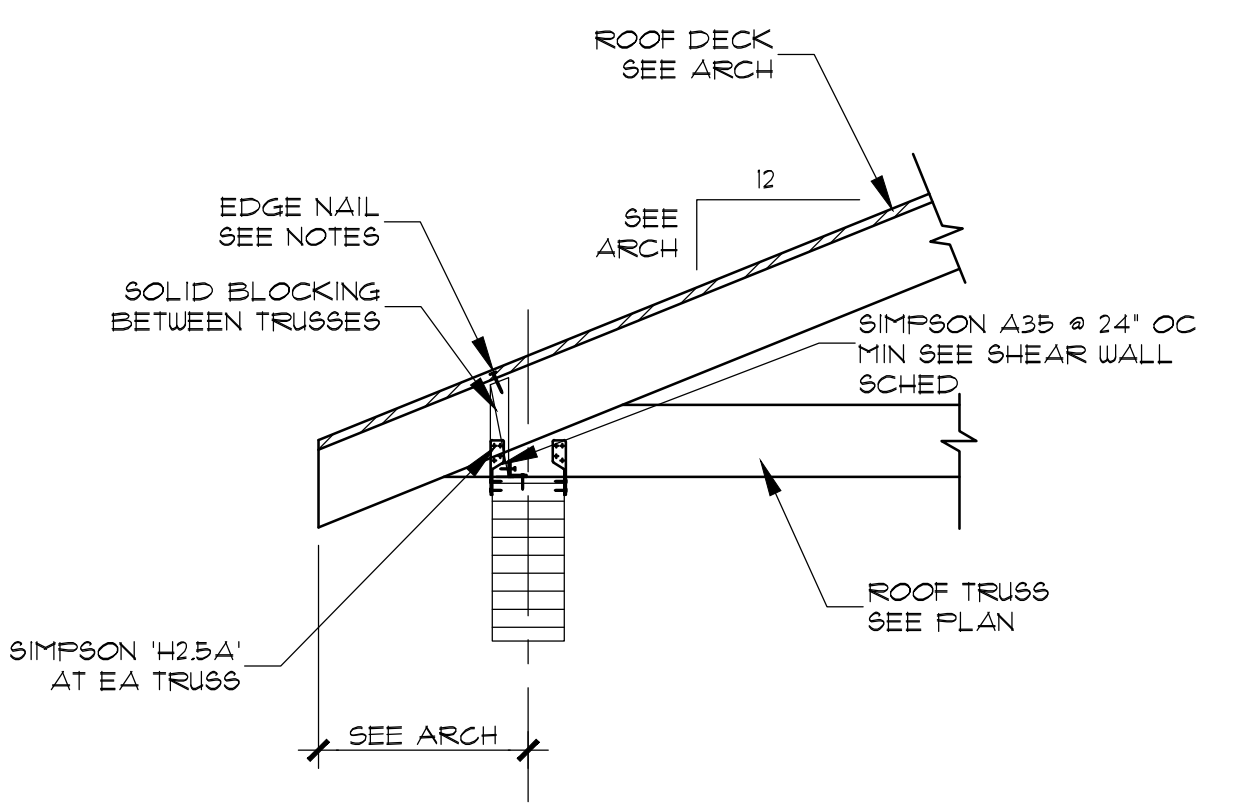
**2** EDGE DETAIL AT GIRDER TRUSS  
SCALE: 3/4" = 1'-0"



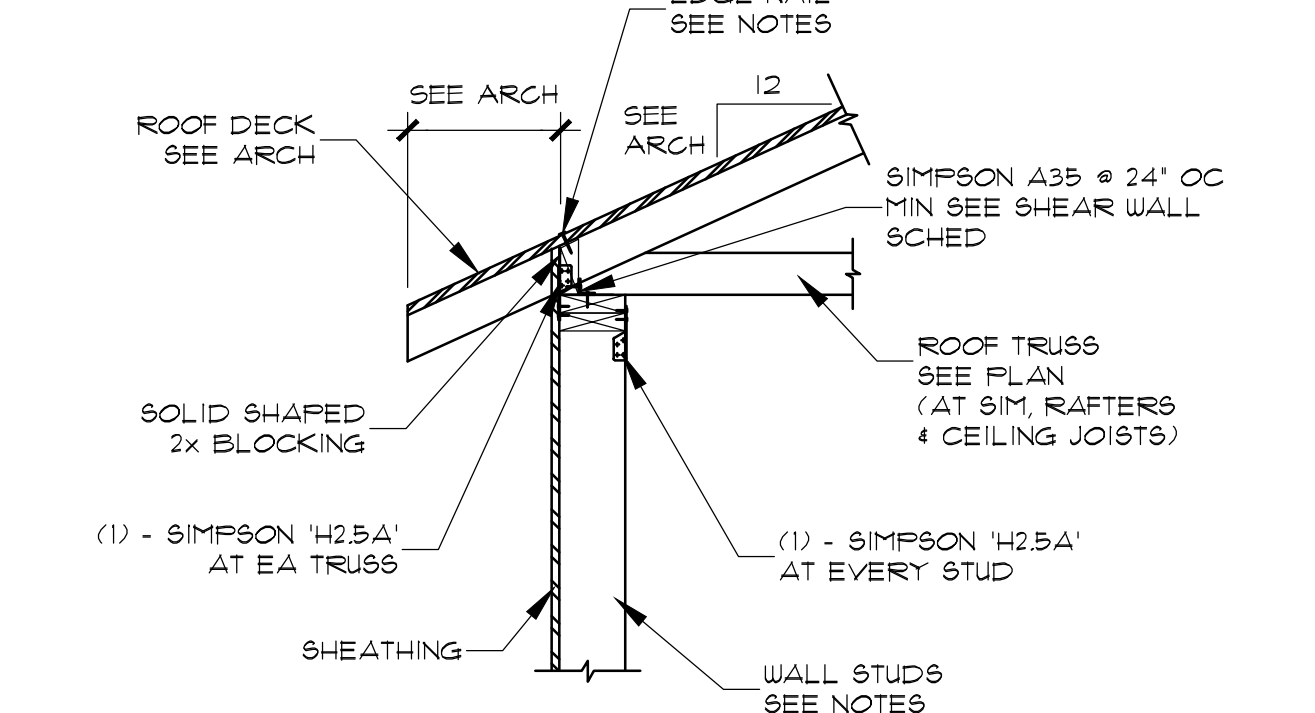
**10** GABLE END DETAIL  
SCALE: 3/4" = 1'-0"



**7** CEILING OPENING DETAIL  
SCALE: 3/4" = 1'-0"



**4** DETAIL AT BEAM  
SCALE: 3/4" = 1'-0"



**1** TYPICAL EDGE DETAIL  
SCALE: 3/4" = 1'-0"



ARCHITECTURE PLANNING INTERIOR DESIGN  
15810 PARK TEN PLACE, SUITE 300  
HOUSTON, TEXAS 77084  
713-465-4650  
www.sligroup.com



26000 block of FM 1093  
Richmond, TX 77406

Project Number : 8972

ISSUED FOR CLIENT APPROVAL	DATE
ISSUED FOR BIDDING	04/01/2026
ISSUED FOR PERMIT	04/01/2026
ISSUED FOR CONSTRUCTION	

REVISIONS		
MARK	DESCRIPTION	DATE

**CJG Engineers**  
Texas Engineering  
Firm Reg. No. F-170  
6051 North Course Dr Ste 375  
Houston, Texas 77072  
713.780.3345

The information, ideas, designs, details, layouts, techniques, features, arrangements, plans, sequences, dimensions, allowances, tolerances, conceptions, specifications, intentions, or embodiments, as illustrated, arranged, displayed, noted, recorded, indicated, represented, disclosed, evidenced, detailed or otherwise reduced to tangible form herein, either expressly, inherently or by implication, are the confidential and proprietary information of SLI Design, Inc. and shall not be used for any purpose other than the specific project or undertaking identified on the drawing title block or legend for which they are and have been prepared by SLI Design, Inc. Any other reproduction, disclosure or use of any portion of the confidential and proprietary information of SLI Design, Inc., shall be a breach of the obligation of confidence created by the acceptance of this drawing from SLI Design, Inc. for a specific project or contract. Any copying, duplicating, reproducing, utilization, alteration, modification, revision or change to this drawing, is expressly prohibited unless done with the prior written consent or approval of SLI Design, Inc. and shall not be undertaken without receipt of such prior written approval. This drawing is loaned by SLI Design, Inc. for the limited purpose of complying with a specific contract. The drawing remains the property of SLI Design, Inc. and shall be returned upon request or completion of the contract, unless specifically authorized by contract, under which it was loaned.

PRINT DATE:



04/01/2026

DRAWING TITLE		
<b>FRAMING DETAILS</b>		
DRAWN BY	AD	SHEET NO.
CHECKED BY	BG	<b>S4.01</b>
APPROVED BY	BG	