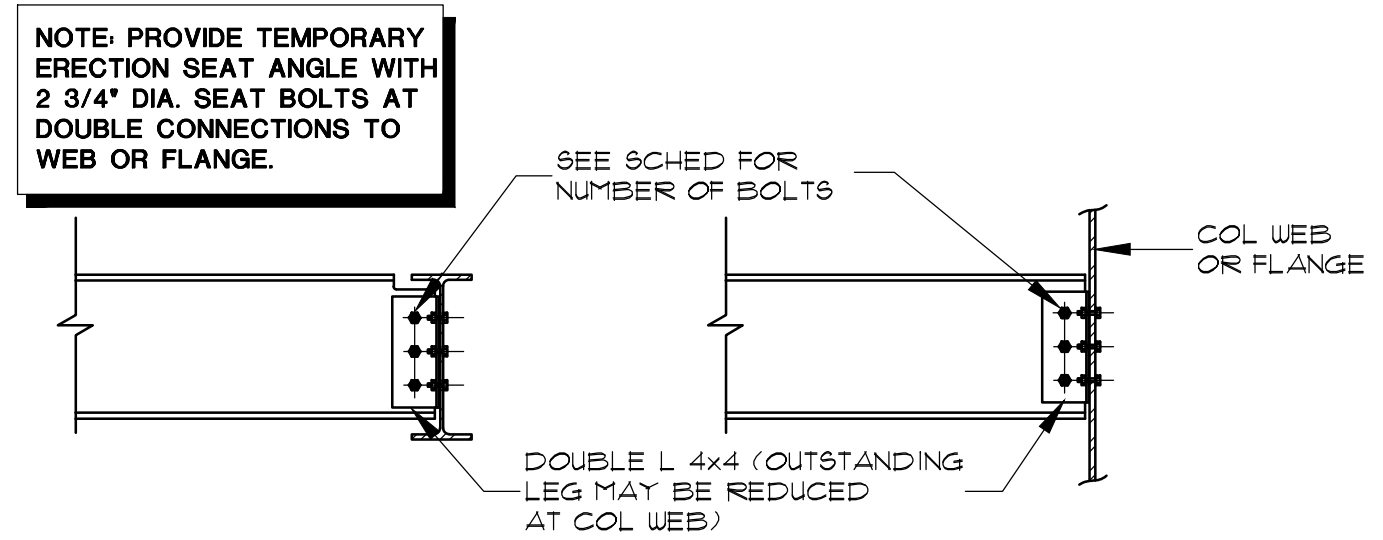


ROOF TRUSS UPLIFT ANCHOR SCHEDULE

SIMPSON ANCHORS	ROOF TRUSS UPLIFT LOAD	REMARKS
H5	LOADS LESS THAN 455#	
H7 OR H10	LOADS LESS THAN 905#	WHERE STUD ALIGNS WITH TRUSS
MTS12 *	LOADS LESS THAN 1000#	OR GREATER SIZE AS REQ'D FOR INSTALLATION
H15	LOADS LESS THAN 1300#	12-104 TO STUD
MT28B	LOADS LESS THAN 4455#(2-PLY) LOADS LESS THAN 3465#(1-PLY)	24-16d NAILS 24-10d NAILS (TWO REQ'D)
THA218-2 **	LOADS LESS THAN 1550#	TWO PLY TRUSS
LIT20B	LOADS LESS THAN 1750#	TWO PLY TRUSS 10-16d NAILS (TWO REQ'D)
2-H05A OR 4-H05A	6465#	TWO PLY TRUSS
2-H05A	3705#	ONE PLY TRUSS

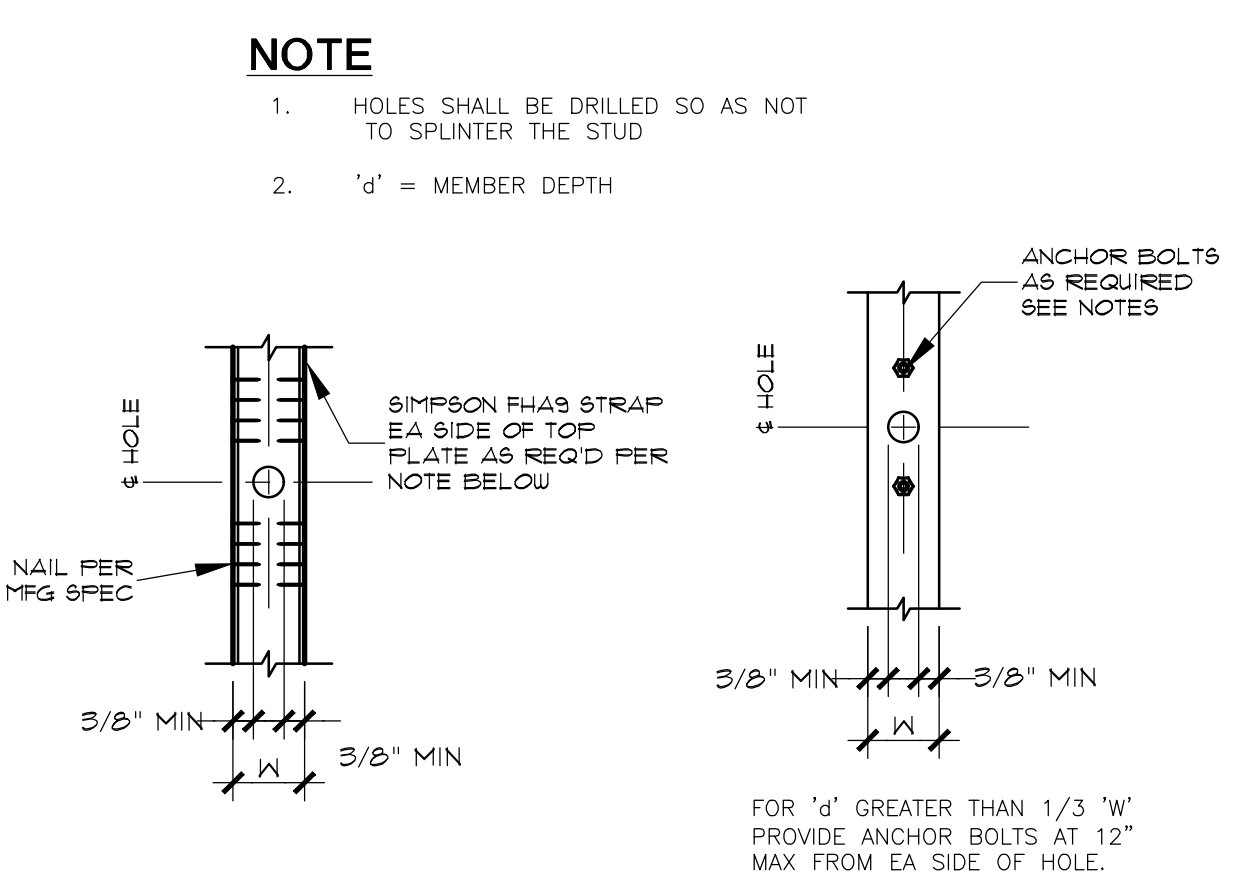
* INSTALL SIMPSON MTS12 NEAREST ADJACENT STUD TO TOP PLATE.
INSTALL SIMPSON MTS12 AT TWO NEAREST ADJACENT STUDS TO TOP PLATE.
INSTALL ALL ANCHORS IN STRICT ACCORDANCE WITH THE MANUFACTURER'S RECOMMENDATIONS AND INSTRUCTIONS.

12 UPLIFT ANCHOR SCHEDULE
SCALE: 3/4" = 1'-0"

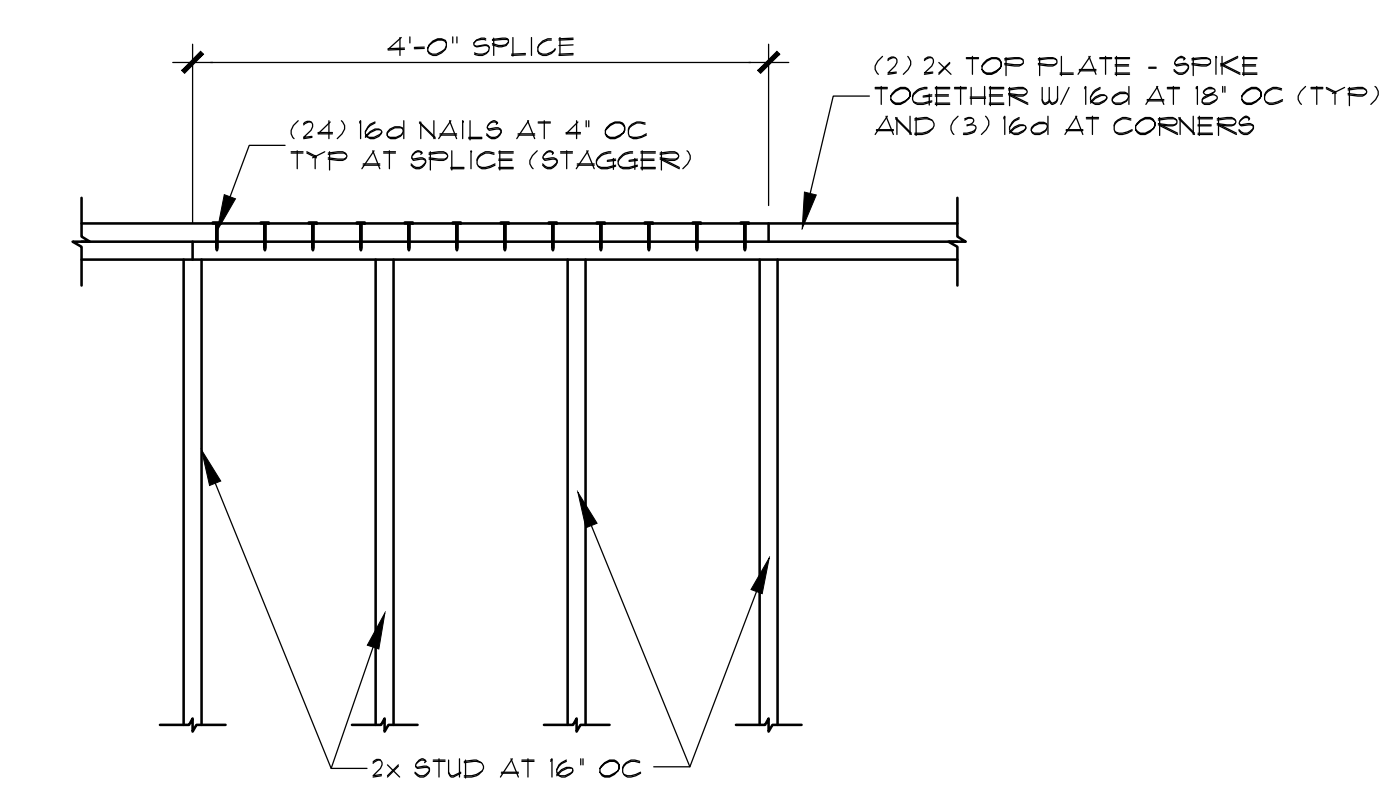


BEAM DEPTH	ANGLE THICKNESS	NO. 3/4" DIA A325 BOLTS
8"	1/4"	2
10"	5/16"	2
12"	5/16"	3
14"	5/16"	3
16"	5/16"	4
18"	5/16"	5
21"	5/16"	6
24"	3/8"	6
27"	3/8"	7
30"	3/8"	8

9 BEAM TO BEAM/COLUMN CONNECTION TABLE
SCALE: T.S.



6 HOLES IN PLATE
SCALE: 3/4" = 1'-0"



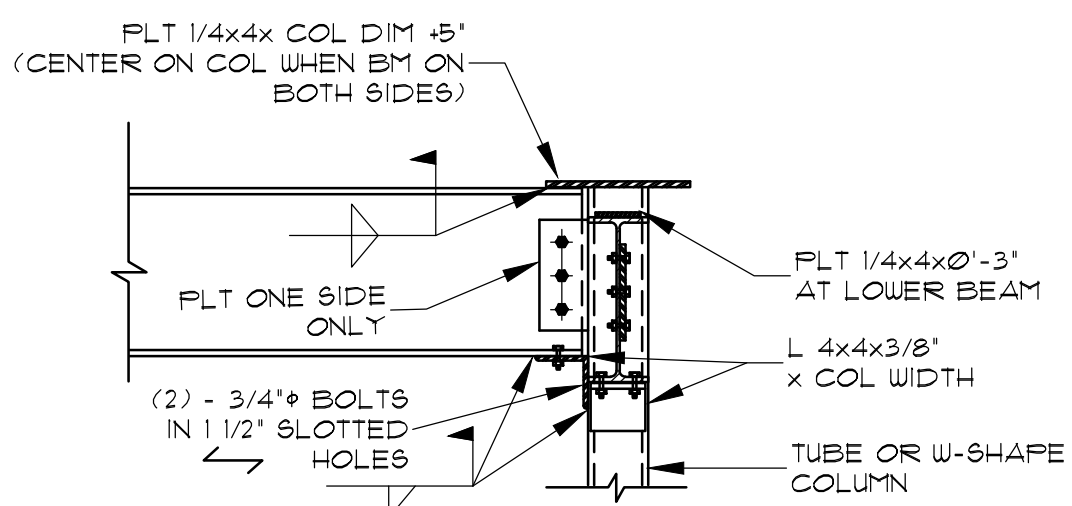
3 TOP PLATE CONNECTION SPLICE
SCALE: 3/4" = 1'-0"

JOIST (BEAM OR TRUSS) HANGER SCHEDULE

2x6	LUS26
2x8	LUS26
2x10	LUS28
2x12	LUS210
(2)-2x6	HUS26-2TF
(2)-2x8	HUS28-2TF
(2)-2x10	HUS210-2TF
(2)-2x12	HUS210-2TF
(3)-2x10	HUS210-3TF
(3)-2x12	HUS212-3TF
3 1/2 x 9 1/4 LSL	HGUS410
5 1/4 x 9 1/4 LSL	HGUS 5.50/10
5 1/4 x 12 LSL	HGUS 5.50/12
TRUSS TO TRUSS	AS SPECIFIED BY TRUSS ENGINEER

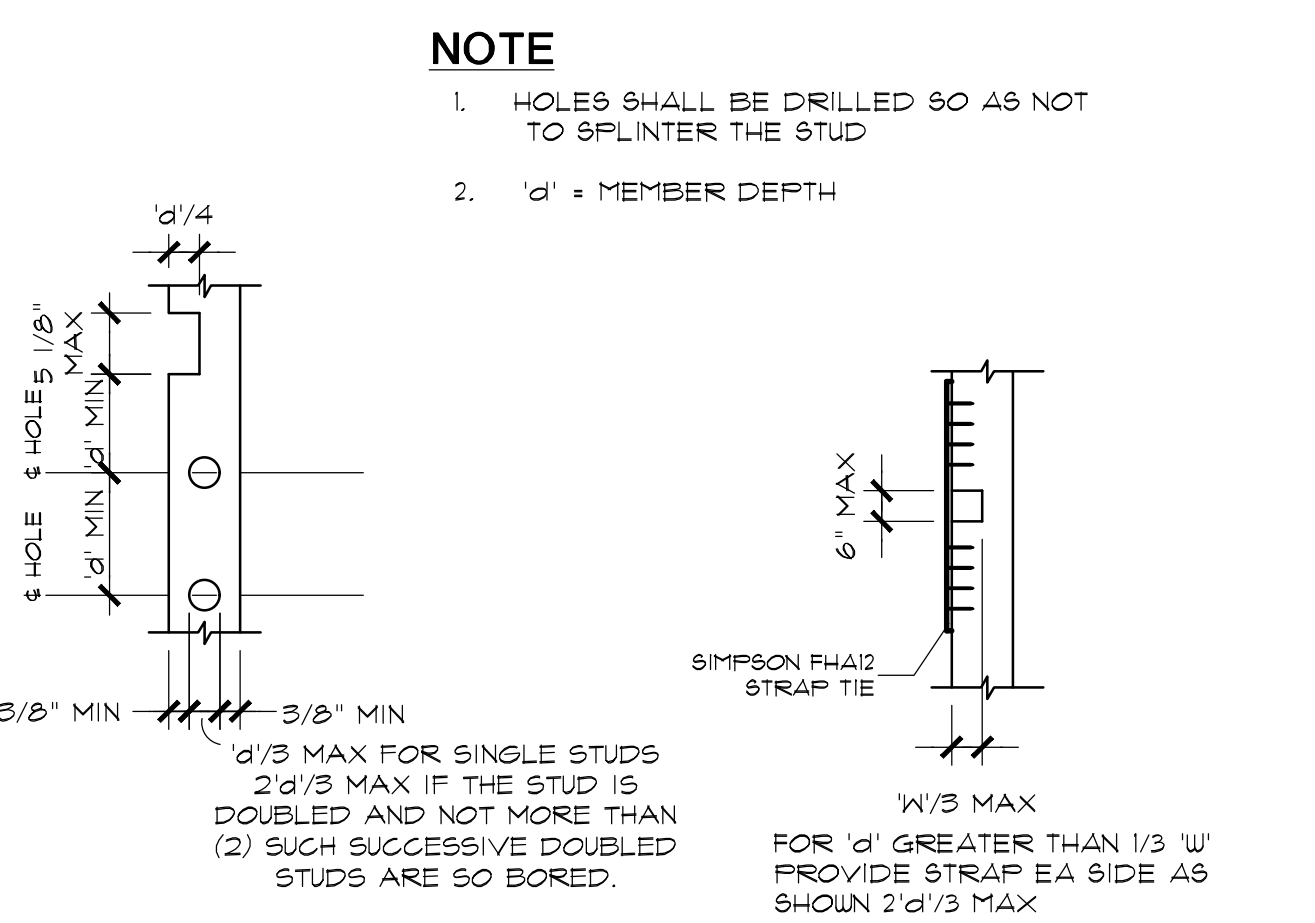
PROVIDE HANGERS AT ALL LOCATIONS WHERE MEMBERS FRAME TOGETHER AT THE SAME ELEVATION (J.W.O.).
SEE TIMBER GENERAL NOTES No. 24.
WHERE WOOD BEAMS FRAME INTO STEEL COLUMNS, PROVIDE 1/4" PLATE SADDLE WITH BEARING PLATE WELDED TO COLUMN.
PROVIDE SLOPED HANGERS WHERE REQUIRED.

11 HANGER SCHEDULE
SCALE: T.S.

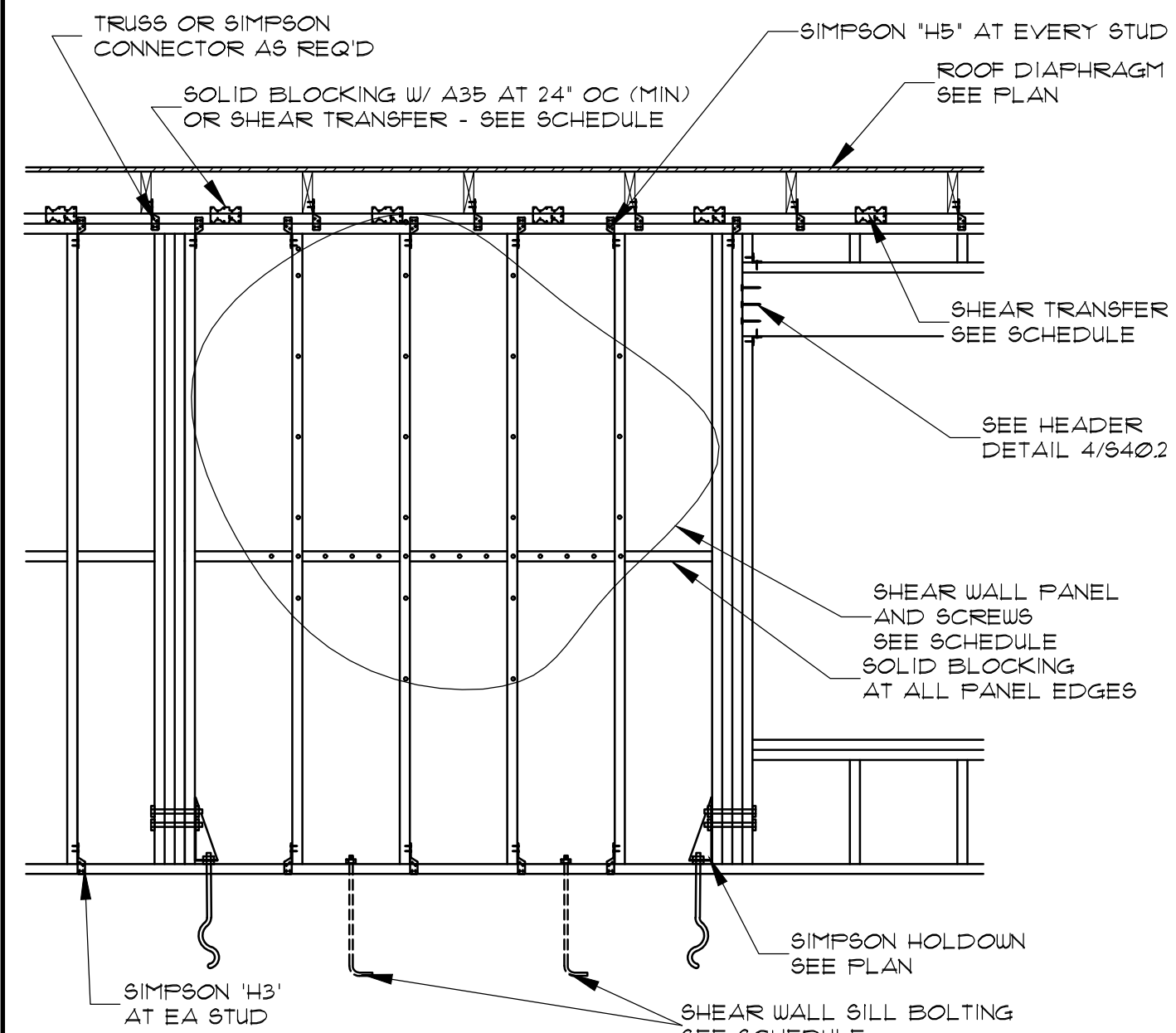


BEAM DEPTH	PLATE THICKNESS	NO. 3/4" DIA A325 BOLTS
8"	1/4"	2
10"	5/16"	2
12"	5/16"	3
14"	5/16"	3
16"	5/16"	4
18"	5/16"	5
21"	5/16"	6
24"	3/8"	6
27"	3/8"	7
30"	3/8"	8

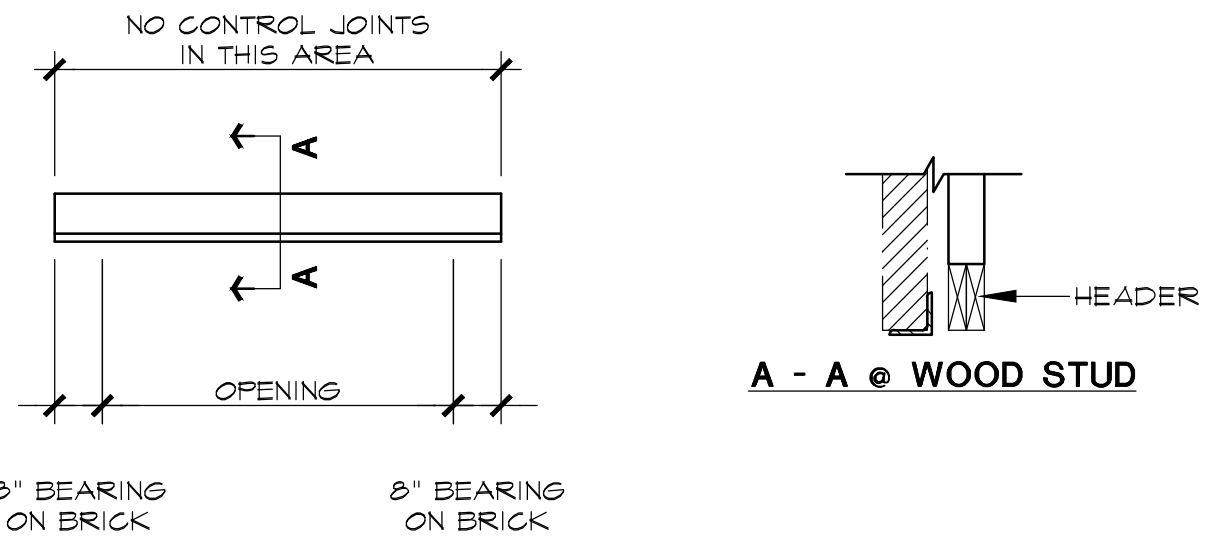
8 BEAM TO COLUMN CONNECTION TABLE
SCALE: T.S.



5 HOLE/NOTCH IN STUD/PLATE
SCALE: 3/4" = 1'-0"



2 SHEAR WALL ELEVATION
SCALE: T.S.

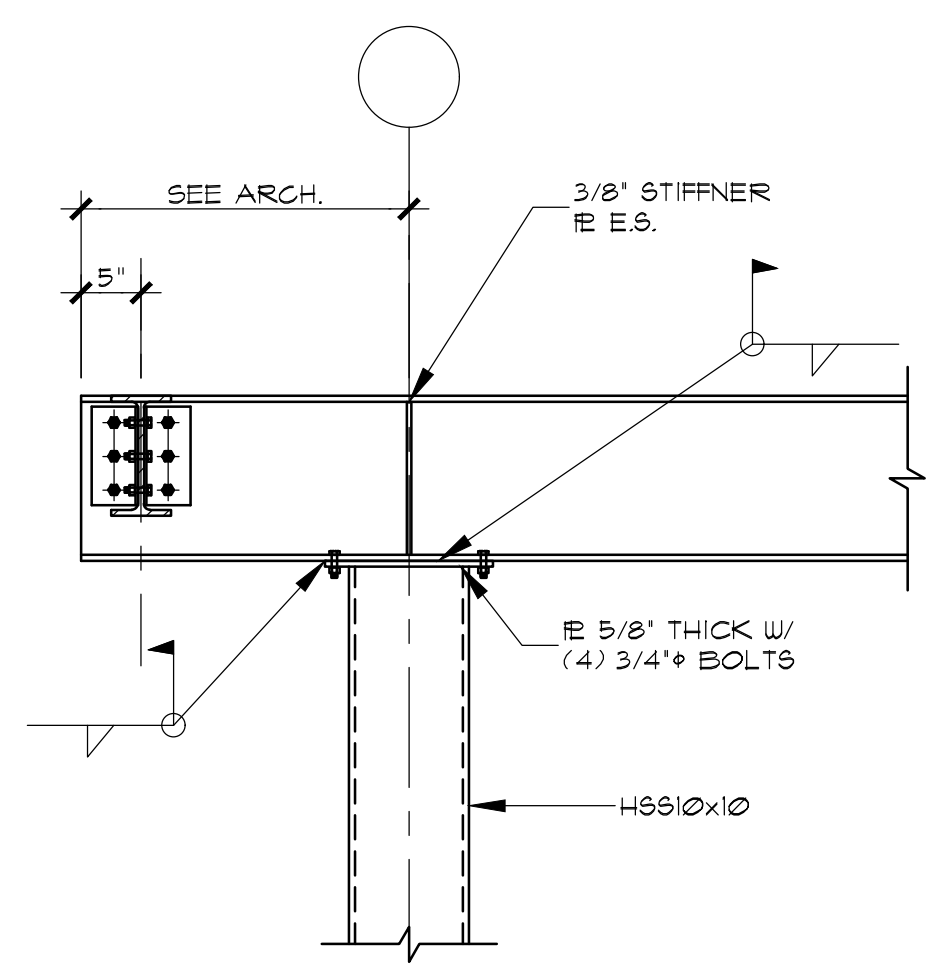


BRICK LOOSE LINTEL SCHEDULE

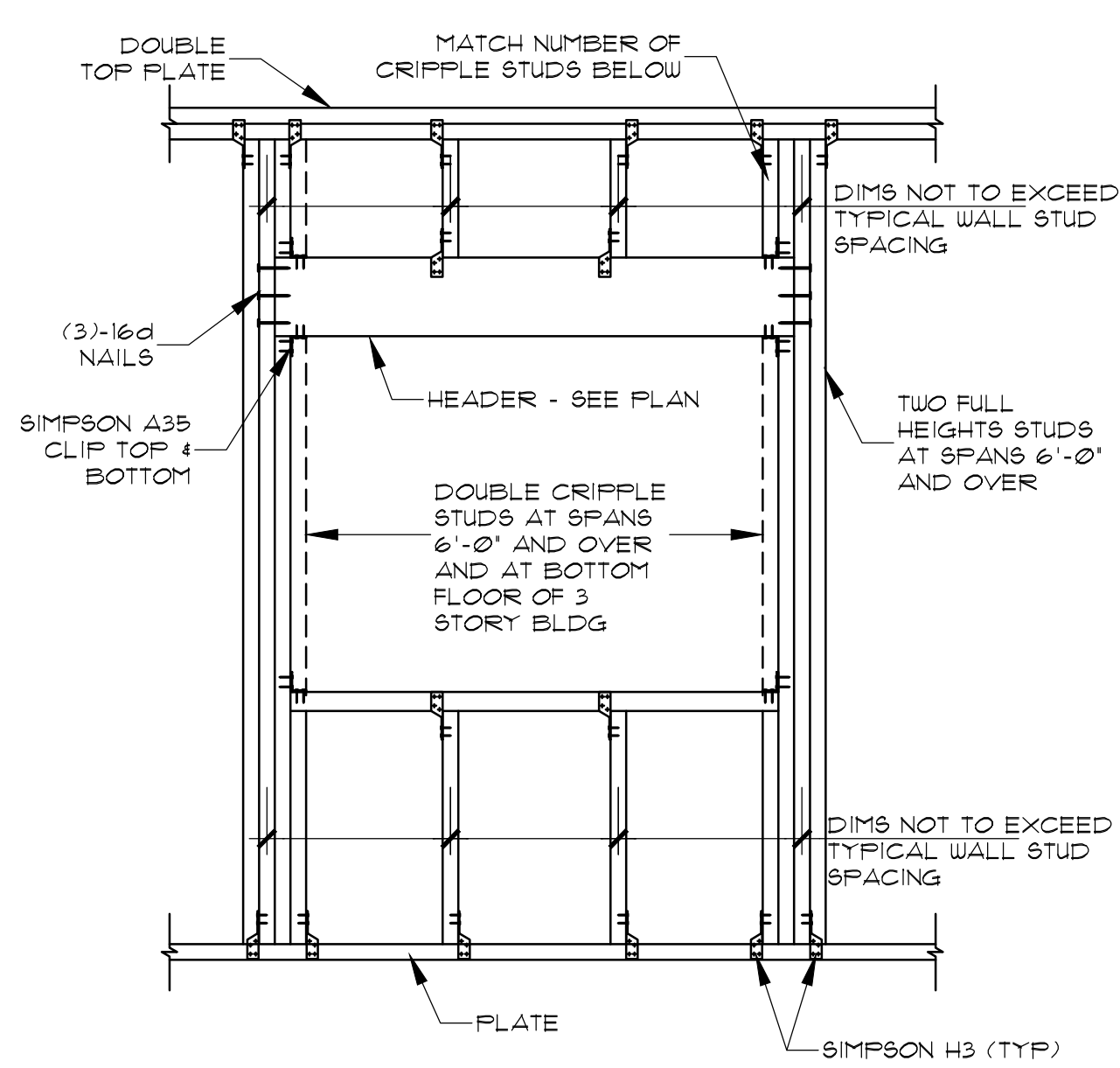
OPENING	ANGLE SIZE	REMARKS
0 - 5'-0"	L 3 1/2 x 3 1/2 x 5/16	
5'-0" - 6'-0"	L 5 x 3 1/2 x 5/16 (LLV)	
6'-0" - 8'-0"	L 6 x 3 1/2 x 5/16 (LLV)	
8'-0" - 12'-0"	L 7 x 4 x 3/8 (LLV)	

LLV = LONG LEG VERTICAL
GALVANIZE ALL LINTEL ANGLES.
ANGLE SIZES ARE MIN. - SEE ARCHITECTURAL DRAWINGS.

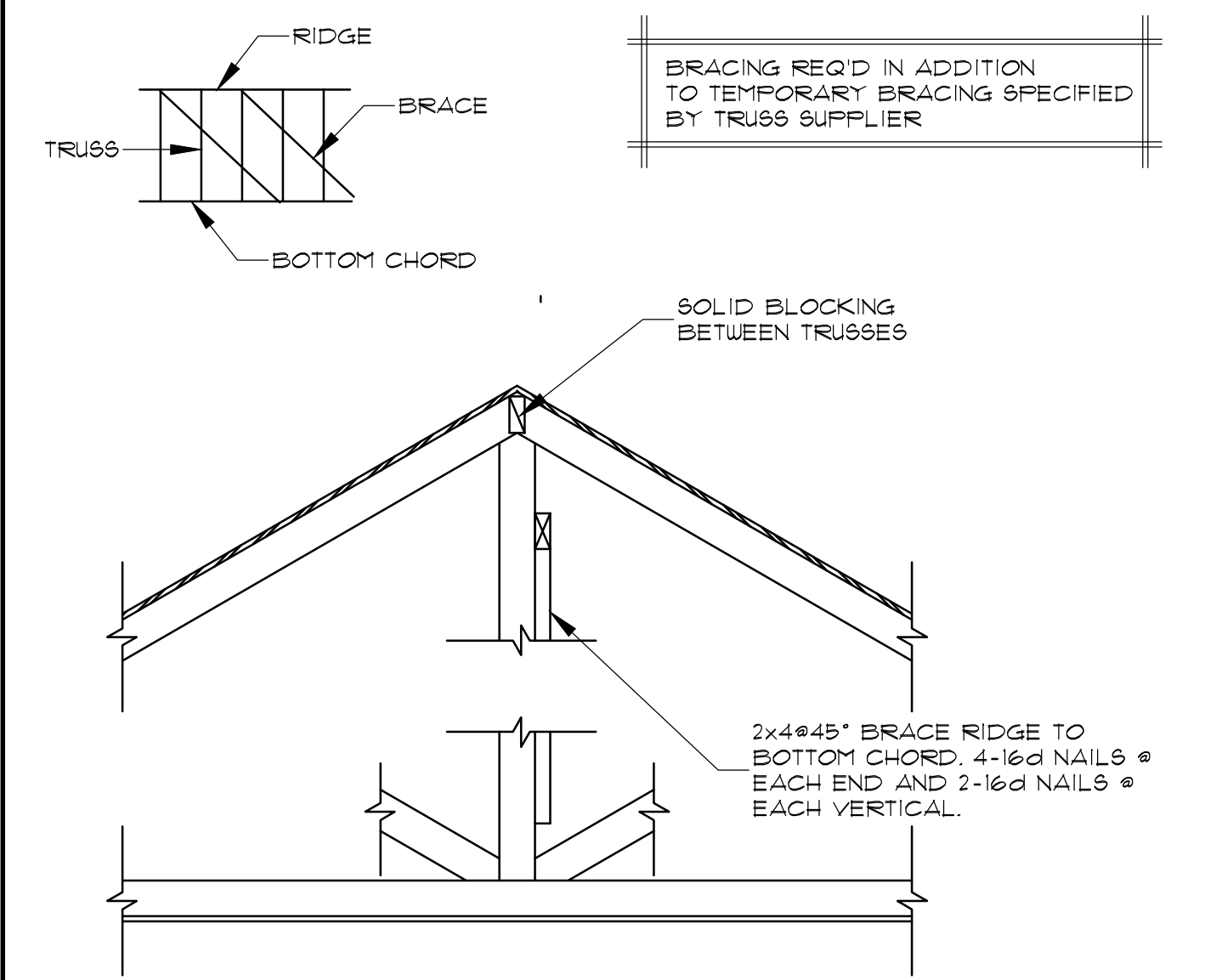
10 BRICK LOOSE LINTEL SCHEDULE
SCALE: T.S.



7 CANTILEVER DETAIL
SCALE: 3/4" = 1'-0"



4 HEADER DETAIL
SCALE: T.S.



1 RIDGE BRACE DETAIL
SCALE: 3/4" = 1'-0"



ARCHITECTURE PLANNING INTERIOR DESIGN
15810 PARK TEN PLACE, SUITE 300
HOUSTON, TEXAS 77084
713-465-4650
www.sligroup.com



26000 block of FM 1093
Richmond, TX 77406

ISSUED FOR CLIENT APPROVAL	DATE
ISSUED FOR BIDDING	04/01/2026
ISSUED FOR PERMIT	04/01/2026
ISSUED FOR CONSTRUCTION	

REVISIONS		
MARK	DESCRIPTION	DATE

CJG Engineers
Texas Engineering Firm Reg. No. F-170
6051 North Course Dr Ste 375
Houston, Texas 77072
713.780.3345

The information, ideas, designs, details, layouts, techniques, features, arrangements, plans, sequences, dimensions, allowances, tolerances, conceptions, specifications, intentions, technology or embodiments, as illustrated, arranged, displayed, noted, recorded, indicated, represented, disclosed, evidenced, detailed or otherwise reduced to tangible form herein, either expressly, inherently or by implication, are the confidential and proprietary information of SLI Design, Inc. and shall not be used for any purpose other than the specific project or undertaking identified on the drawing title block or legend for which they are and have been prepared by SLI Design, Inc. Any other reproduction, disclosure or use of any portion of the confidential and proprietary information of SLI Design, Inc. shall be a breach of the obligation of confidence created by the acceptance of this drawing from SLI Design, Inc. for a specific project or contract. Any copying, duplicating, reproducing, utilization, alteration, modification, revision or change to this drawing, is expressly prohibited unless done with the prior written consent or approval of SLI Design, Inc. and shall not be undertaken without receipt of such prior written approval. This drawing is loaned by SLI Design, Inc. for the limited purpose of complying with a specific contract. The drawing remains the property of SLI Design, Inc. and shall be returned upon request or completion of the contract, unless specifically authorized by contract, under which it was loaned.

PRINT DATE: 04/01/2026

DRAWING TITLE: FRAMING DETAILS

DRAWN BY: AD SHEET NO. S4.02

CHECKED BY: BG

APPROVED BY: BG

