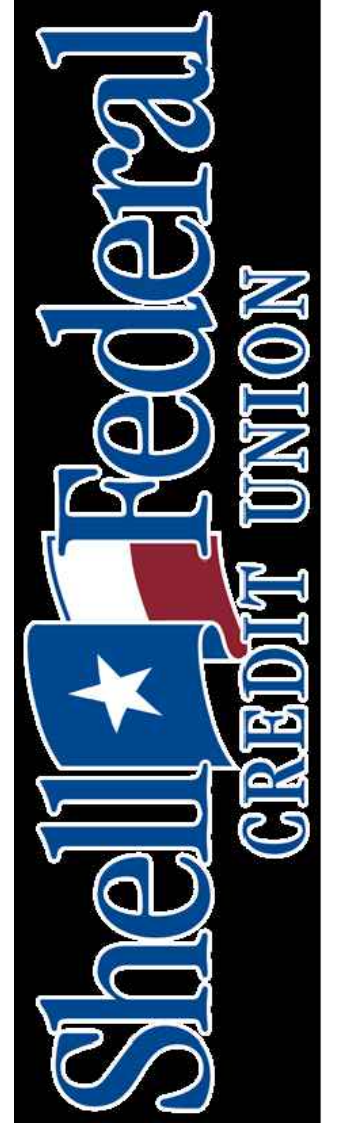




ARCHITECTURE PLANNING INTERIOR DESIGN
 15810 PARK TEN PLACE, SUITE 300
 HOUSTON, TEXAS 77084
 713-465-4650
 www.sligroup.com

© COPYRIGHT



26000 block of FM 1093
 Richmond, TX 77406

Project Number : 8972

ISSUED FOR CLIENT APPROVAL	DATE
ISSUED FOR BIDDING	04/01/2026
ISSUED FOR PERMIT	04/01/2026
ISSUED FOR CONSTRUCTION	

REVISIONS		
MARK	DESCRIPTION	DATE

CJG Engineers
 Texas Engineering
 Firm Reg. No. F-170
 6051 North Course Dr Ste 375
 Houston, Texas 77072
 713.780.3345

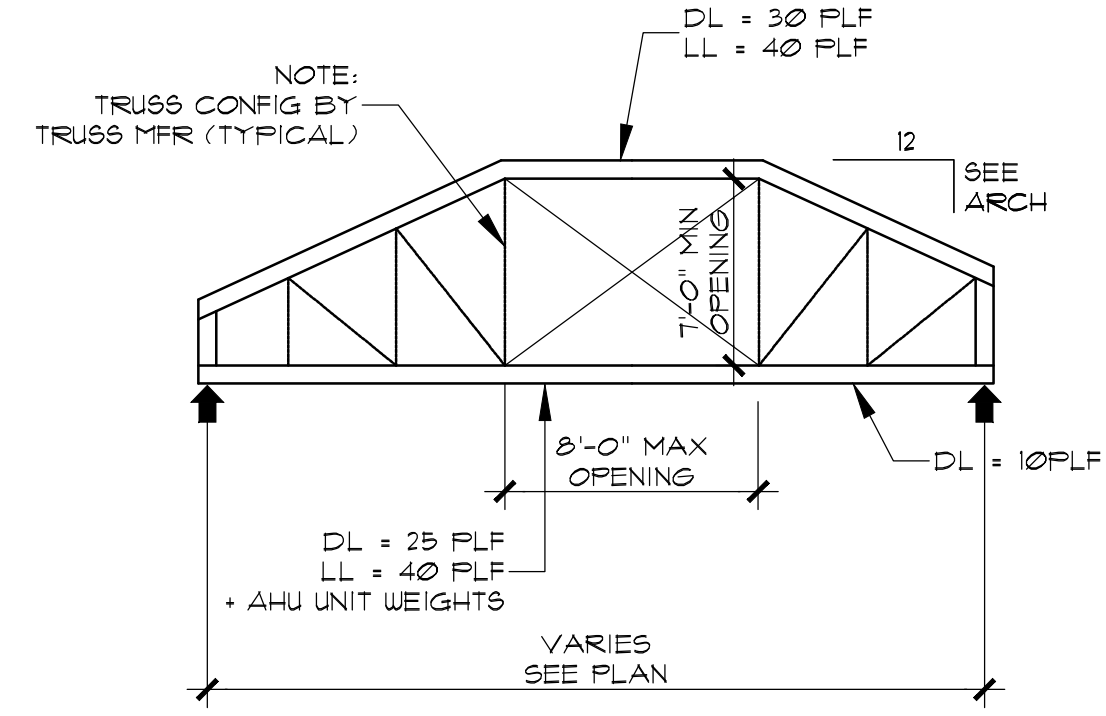
The information, ideas, designs, details, layouts, techniques, features, arrangements, plans, sequences, dimensions, allowances, tolerances, conceptions, specifications, intentions, technology or embodiments, as illustrated, arranged, displayed, noted, recorded, indicated, represented, disclosed, evidenced, detailed or otherwise reduced to tangible form herein, either expressly, inherently or by implication, are the confidential and proprietary information of SLI Design, Inc. and shall not be used for any purpose other than the specific project or undertaking identified on the drawing title block or legend for which they are and have been prepared by SLI Design, Inc. Any other reproduction, disclosure or use of any portion of the confidential and proprietary information of SLI Design, Inc., shall be a breach of the obligation of confidence created by the acceptance of this drawing from SLI Design, Inc. for a specific project or Contract. Any copying, duplicating, reproducing, utilization, alteration, modification, revision or change to this drawing, is expressly prohibited unless done with the prior written consent or approval of SLI Design, Inc. and shall not be undertaken without receipt of such prior written approval. This drawing is loaned by SLI Design, Inc. for the limited purpose of complying with a specific Contract. The drawing remains the property of SLI Design, Inc. and shall be returned upon request or completion of the contract, unless specifically authorized by Contract, under which it was loaned.

PRINT DATE:

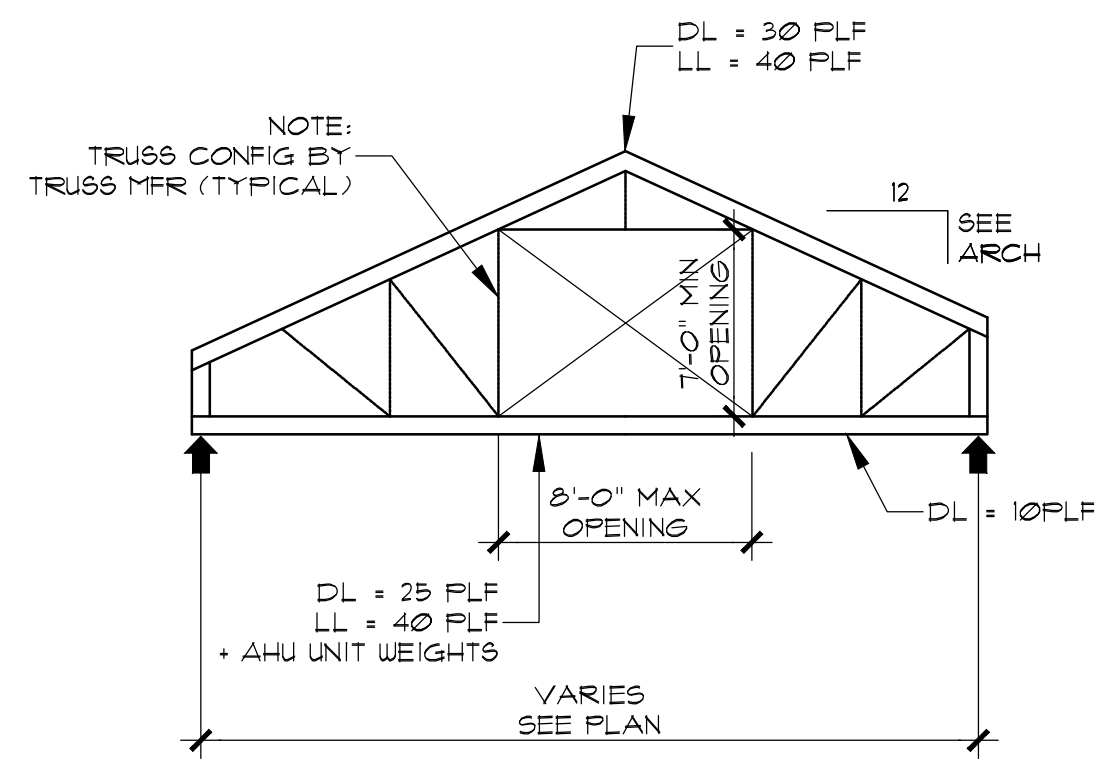


04/01/2026

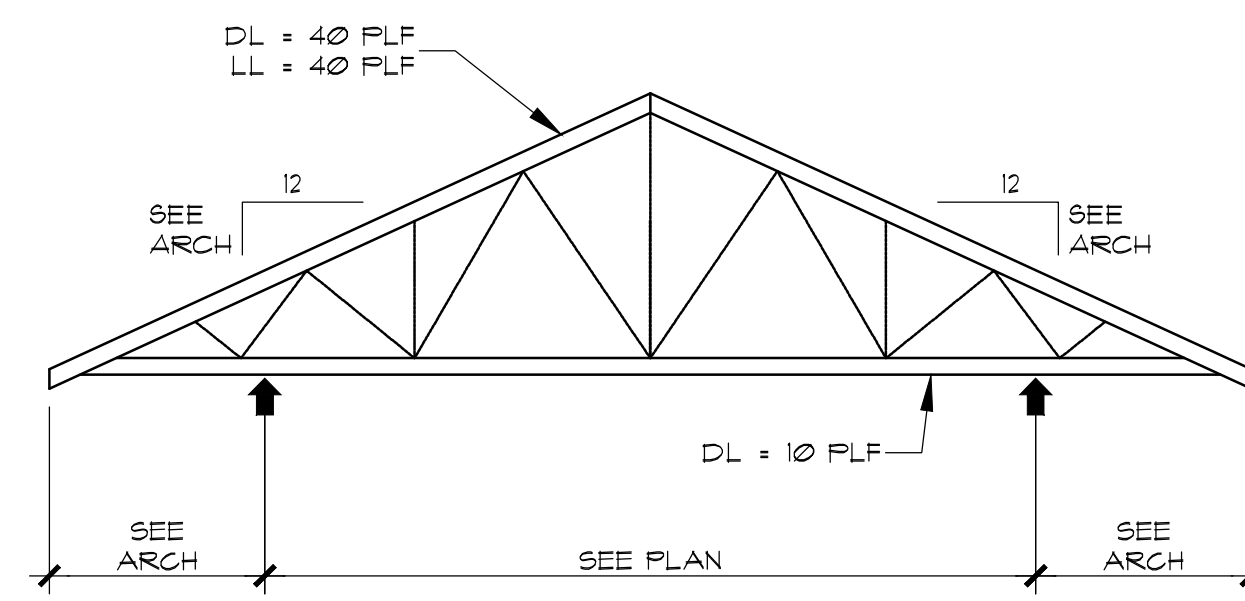
DRAWING TITLE	
FRAMING DETAILS	
DRAWN BY	AD SHEET NO.
CHECKED BY	BG S4.04
APPROVED BY	BG



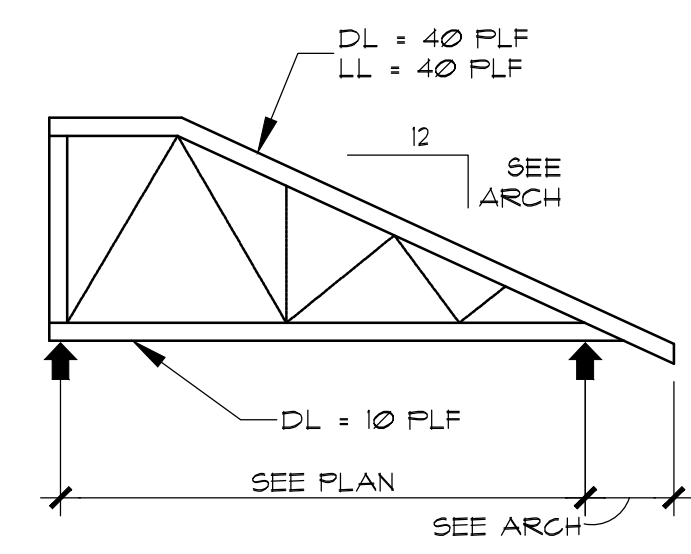
3 ROOF TRUSS PROFILE RT-3
 SCALE: 3/16" - 1'-0"



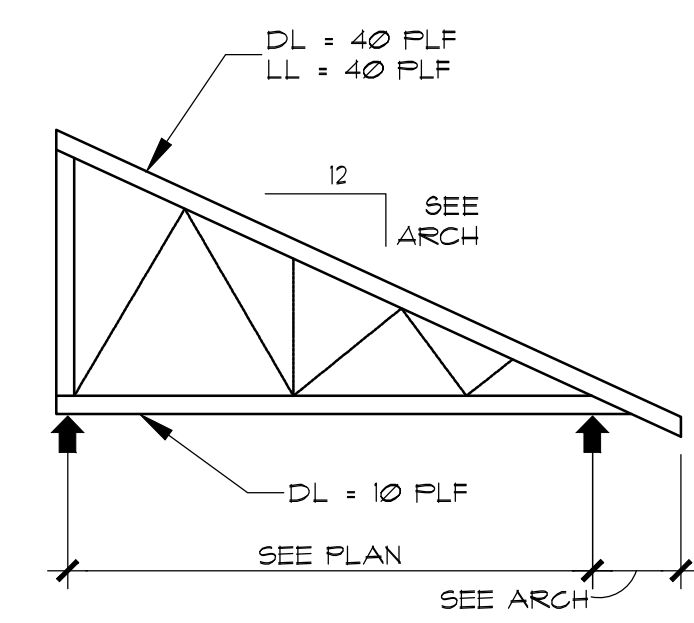
2 ROOF TRUSS PROFILE RT-2
 SCALE: 3/16" - 1'-0"



5 ROOF TRUSS PROFILE RT-5
 SCALE: 3/16" - 1'-0"



4 ROOF TRUSS PROFILE RT-4
 SCALE: 3/16" - 1'-0"



1 ROOF TRUSS PROFILE RT-1
 SCALE: 3/16" - 1'-0"

12 DETAIL
 SCALE: 3/4" - 1'-0"

9 DETAIL
 SCALE: 3/4" - 1'-0"

6 DETAIL
 SCALE: 3/4" - 1'-0"

11 DETAIL
 SCALE: 3/4" - 1'-0"

8 DETAIL
 SCALE: 3/4" - 1'-0"

10 DETAIL
 SCALE: 3/4" - 1'-0"

7 DETAIL
 SCALE: 3/4" - 1'-0"