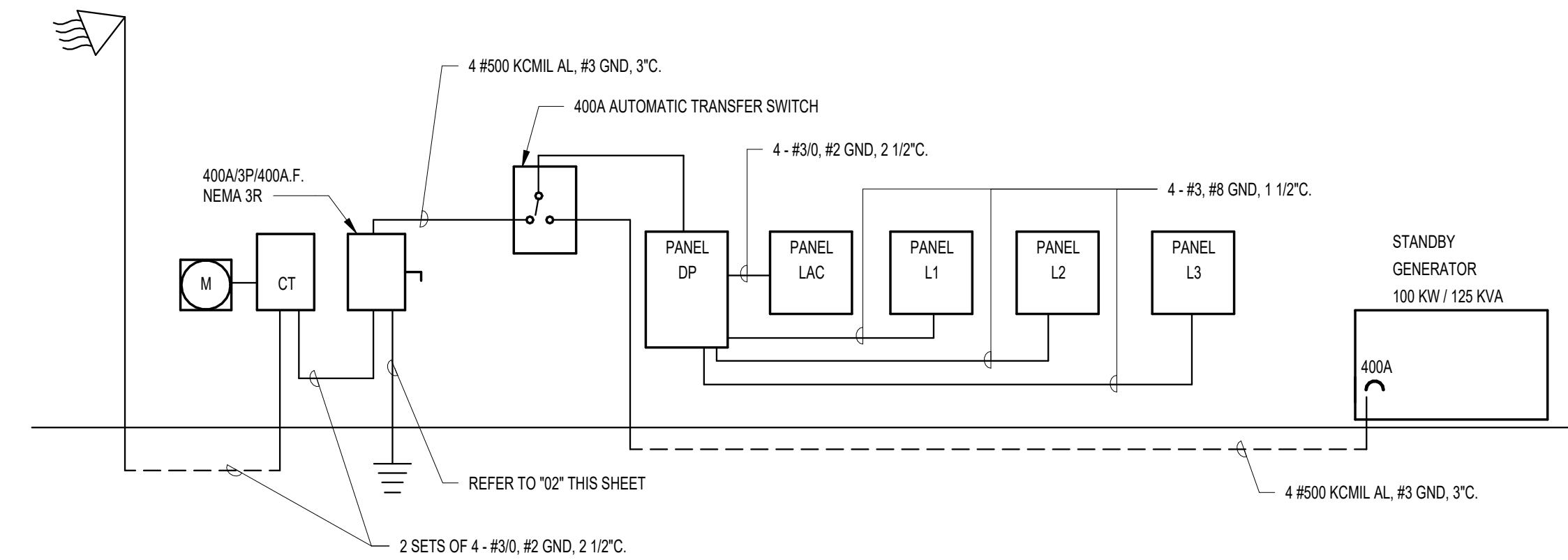


SYMBOL LEGEND

SWITCHES	
§	SWITCH, SPST, 20A, 120/277V
§ 3	SWITCH, 20A, 120/277V, "2" DENOTES DPST, "3" DENOTES THREE-WAY, "4" DENOTES FOUR-WAY
ⓓ	DIMMER CONTROL SWITCH, 1000 WATT UNLESS OTHERWISE NOTED
§ M	SWITCH, MOTION SENSOR, NOVITAS #01-133
§ OC	WALL MOUNTED OCCUPANT SENSOR WITH 0-10V DIMMER. PROVIDE ENOUGH SENSORS(CEILING OR WALL MOUNTED) FOR FULL ROOM COVERAGE. CONNECT LIGHT FIXTURES SERVING ROOM THROUGH NEW SENSOR(S). LIGHTS MUST BE TURNED ON MANUALLY (OR OPTIONALLY CAN BE CONFIGURED TO COME ON AUTOMATICALLY TO 50%). EATON #VSW-P-010
ⓗ	HASH MARKS INDICATE NUMBER OF CONDUCTORS PHASE/NEUTRAL/SWITCH LEG/GROUND FROM LEFT TO RIGHT. NO HASH MARKS INDICATES 2#12, 1#12G, UNLESS OTHERWISE NOTED.
ⓗ	UNDERGROUND CONDUIT
RECEPTACLES AND OUTLETS	
Ⓜ	DUPLEX WALL RECEPTACLE, NEMA 5-15R, 15A, 125V OR NEMA 5-20R, 20A, 125V, RE: SPECIFICATIONS, DOT INDICATES ABOVE COUNTER.
ⓂP	DUPLEX WALL RECEPTACLE, "WP" DENOTES WEATHERPROOF, "TP" DENOTES SAFETY TYPE, "GF" DENOTES GROUND FAULT PROTECTION, DOT INDICATES ABOVE COUNTER.
Ⓜ	FOURPLEX WALL RECEPTACLE, NEMA 5-15R, 15A, 125V, DOT INDICATES ABOVE COUNTER.
Ⓜ	SPECIAL RECEPTACLE, NEMA CONFIGURATION AS NOTED, DOT INDICATES ABOVE COUNTER.
Ⓜ	FLOOR OUTLET
Ⓜ	JUNCTION BOX
Ⓜ	DIRECT CONNECTION TO EQUIPMENT
Ⓜ	TELEPHONE WALL OUTLET. PROVIDE 2"x4" OUTLET BOX WITH 3/4" CONDUIT AND PULL STRING TO ABOVE CEILING.
Ⓜ	DATA WALL OUTLET. PROVIDE 2"x4" OUTLET BOX WITH 3/4" CONDUIT AND PULL STRING TO ABOVE CEILING.
Ⓜ	COMBINATION RECEPTACLE/TELEPHONE/DATA FLOOR OUTLET
Ⓜ	HUBBELL #B4333 FLOOR BOX HUBBELL 1 - #S3825 AND 2 - #S3825 COVER HUBBELL #S93085 CARPET FLANGE
Ⓜ	HUBBELL #B4233 FLOOR BOX HUBBELL 1 - #S3825 COVER AND 1 - #S3825 COVER HUBBELL #S93084 CARPET FLANGE
Ⓜ	HUBBELL #B2436 FLOOR BOX HUBBELL #S3825 COVER HUBBELL #S93083 CARPET FLANGE
Ⓜ	CATV. PROVIDE 2"x4" OUTLET BOX WITH 3/4" CONDUIT AND PULL STRING TO ABOVE CEILING.
ELECTRICAL EQUIPMENT	
Ⓜ	DISTRIBUTION PANEL
Ⓜ	PLYWOOD TERMINAL BOARD, TYPE AS NOTED, 4' X 8' X 3/4", UNLESS NOTED OTHERWISE
Ⓜ	TRANSFORMER
MOTORS AND CONTROLS	
Ⓜ	SINGLE OR THREE PHASE MOTOR
Ⓜ	DISCONNECT (SAFETY) SWITCH "200/3/150" DENOTES AMPERES/POLE/FUSE, "NF" DENOTES NON-FUSED
Ⓜ	MOTOR STARTER
Ⓜ	COMBINATION DISCONNECT (SAFETY) SWITCH AND MOTOR STARTER "30/3/15/0" DENOTES AMPERES/POLES/FUSE/ STARTER SIZE, "NF" DENOTES NON-FUSED.
Ⓜ	MANUAL MOTOR STARTING WITH THERMAL OVERLOAD
FIRE ALARM	
Ⓜ	FIRE ALARM CONTROL PANEL (FLUSH/SURFACE)
Ⓜ	CEILING SPEAKER/STROBE
Ⓜ	WALL SPEAKER/STROBE
Ⓜ	CEILING STROBE
Ⓜ	WALL STROBE
Ⓜ	SPEAKER
Ⓜ	MANUAL PULL STATION
Ⓜ	AREA SMOKE DETECTOR, "H" HEAT DETECTOR, "DD" DUCT DETECTOR.
Ⓜ	SPRINKLER FLOW SWITCH
Ⓜ	VALVE SUPERVISORY SWITCH
Ⓜ	NIGHT LIGHT

SERVICE LOAD ANALYSIS				
Load Classification	Connected Load (VA)	Demand Factor	Estimated Demand (VA)	Estimated Demand Current
Lighting	5476 VA	125.00%	6844 VA	19 A
Lighting - Exterior	1447 VA	125.00%	1808 VA	5 A
Receptacle	19620 VA	75.48%	14810 VA	41 A
HVAC	57928 VA	100.00%	57928 VA	161 A
Power	28060 VA	100.00%	28060 VA	78 A
25% Largest Motor	500 VA	100.00%	500 VA	1 A
Total Connected Load (VA): 112966 VA				
Total Demand Load (VA): 109871 VA				
Total Current: 305 A				

120/208 Wye, 3 Phase, 4 Wire Service

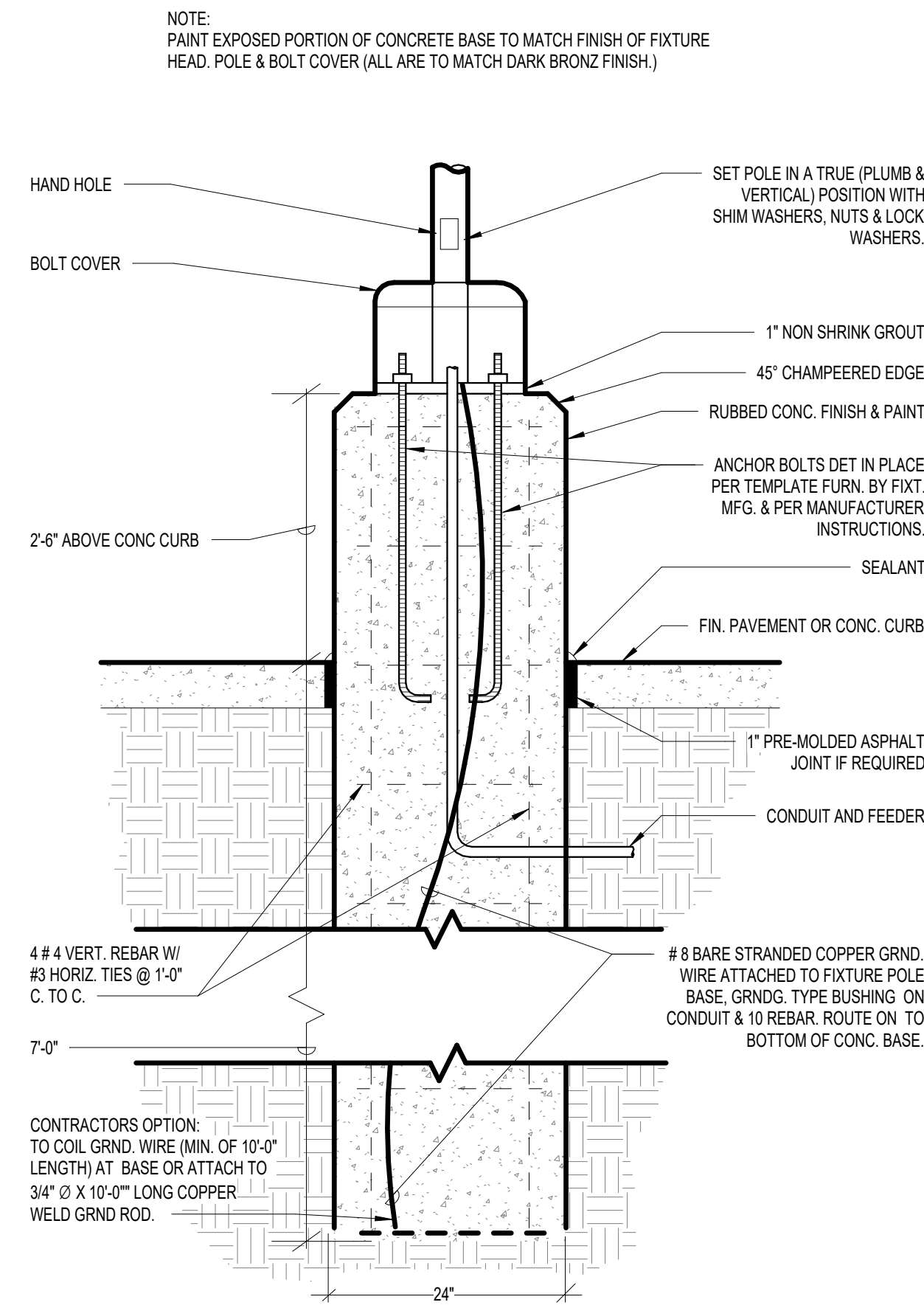


1 ELECTRICAL ONE LINE DIAGRAM
N.T.S.

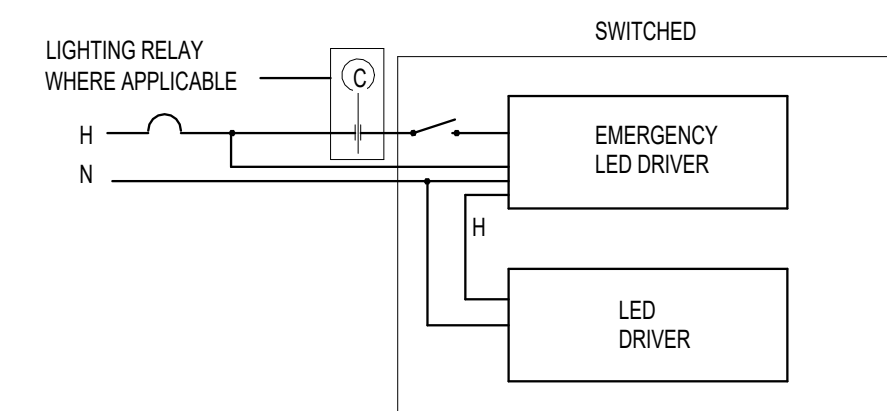
GENERATOR LOAD ANALYSIS				
Load Classification	Connected Load (VA)	Demand Factor	Estimated Demand (VA)	Estimated Demand Current
Lighting	5476 VA	125.00%	6844 VA	19 A
Lighting - Exterior	1447 VA	125.00%	1808 VA	5 A
Receptacle	19620 VA	75.48%	14810 VA	41 A
Power	28060 VA	100.00%	28060 VA	78 A
HVAC	57928 VA	100.00%	57928 VA	161 A
Total Connected Load (VA): 112466 VA				
Total Demand Load (VA): 109371 VA				
Total Current: 304 A				

120/208 Wye, 3 Phase, 4 Wire Service

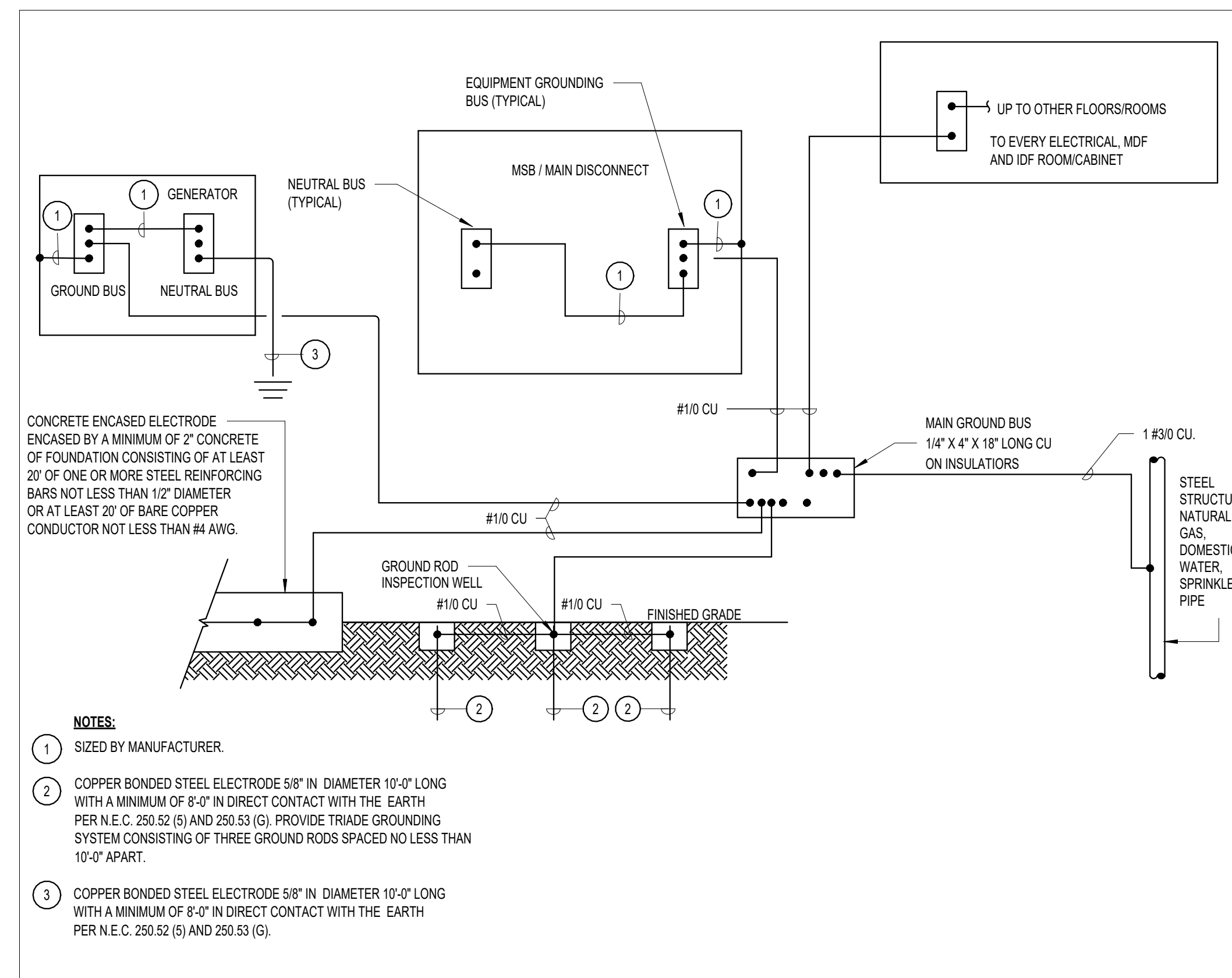
SPD SCHEDULE		
MARK	MODEL	CABLE SIZE
SPD1	120KA PER PHASE, 120/208 3P	5 #10, 1 1/2" C
SPD2	80KA PER PHASE, 120/208 3P	5 #10, 1 1/2" C



3 LIGHT POLE DETAIL
N.T.S.



4 TYPICAL EMERGENCY LED DRIVER WIRING
12" = 1'-0"



2 ELECTRICAL GROUNDING DETAILS
12" = 1'-0"

ISSUED FOR CLIENT APPROVAL		DATE
ISSUED FOR BIDDING		
ISSUED FOR PERMIT		
ISSUED FOR CONSTRUCTION		
REVISIONS		
MARK	DESCRIPTION	DATE
	ISSUE FOR BID	04/07/2026

The information, ideas, designs, details, layouts, techniques, features, arrangements, plans, sequences, dimensions, allowances, tolerances, conceptions, specifications, intentions, technology or embodiments, as illustrated, arranged, displayed, noted, recorded, indicated, represented, disclosed, evidenced, detailed or otherwise reduced to tangible form herein, either expressly, inherently or by implication, are the confidential and proprietary information of SLI Design, Inc., and shall not be used for any purpose other than the specific project or undertaking identified on the drawing title block or legend for which they are and have been prepared by SLI Design, Inc. Any other reproduction, disclosure or use of any portion of the confidential and proprietary information of SLI Design, Inc., shall be a breach of the obligation of confidence created by the acceptance of this drawing from SLI Design, Inc. for a specific project or contract. Any copying, duplicating, reproducing, utilizing, alteration, modification, revision or change to this drawing, is expressly prohibited unless done with the prior written consent or approval of SLI Design, Inc., and shall not be undertaken without receipt of such prior written approval. This drawing is loaned by SLI Design, Inc., for the limited purpose of complying with a specific contract. The drawing remains the property of SLI Design, Inc., and shall be returned upon request or completion of the contract, unless specifically authorized by Contract, under which it was loaned.

PRINT DATE: 4/6/2026 3:44:08 PM

JE#5126
04/07/2026

THE SEAL APPEARING ON THIS DOCUMENT WAS AUTHORIZED BY N. CURTIS JONES, JR. P.E. 58428

JONES ENGINEERS, L.P.
Consulting Mechanical/Electrical/Plumbing Engineers
9820 Whithorn Dr. Houston, Texas 77095 (713)222-7766
Texas Registered Engineering Firm #F-3811

DRAWING TITLE	
ELECTRICAL DETAILS	
DRAWN BY: JE	SHEET NO.:
CHECKED BY: JE	E3.01
APPROVED BY: JE	