



ARCHITECTURE PLANNING INTERIOR DESIGN
 15810 PARK TEN PLACE, SUITE 300
 HOUSTON, TEXAS 77084
 713-465-4650
 www.sligroup.com

© COPYRIGHT



Neches FCU - Sjisbee ITM
 State HWY 327 Sjisbee, TX 77656

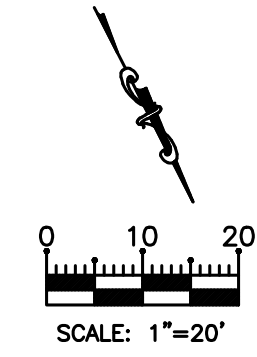
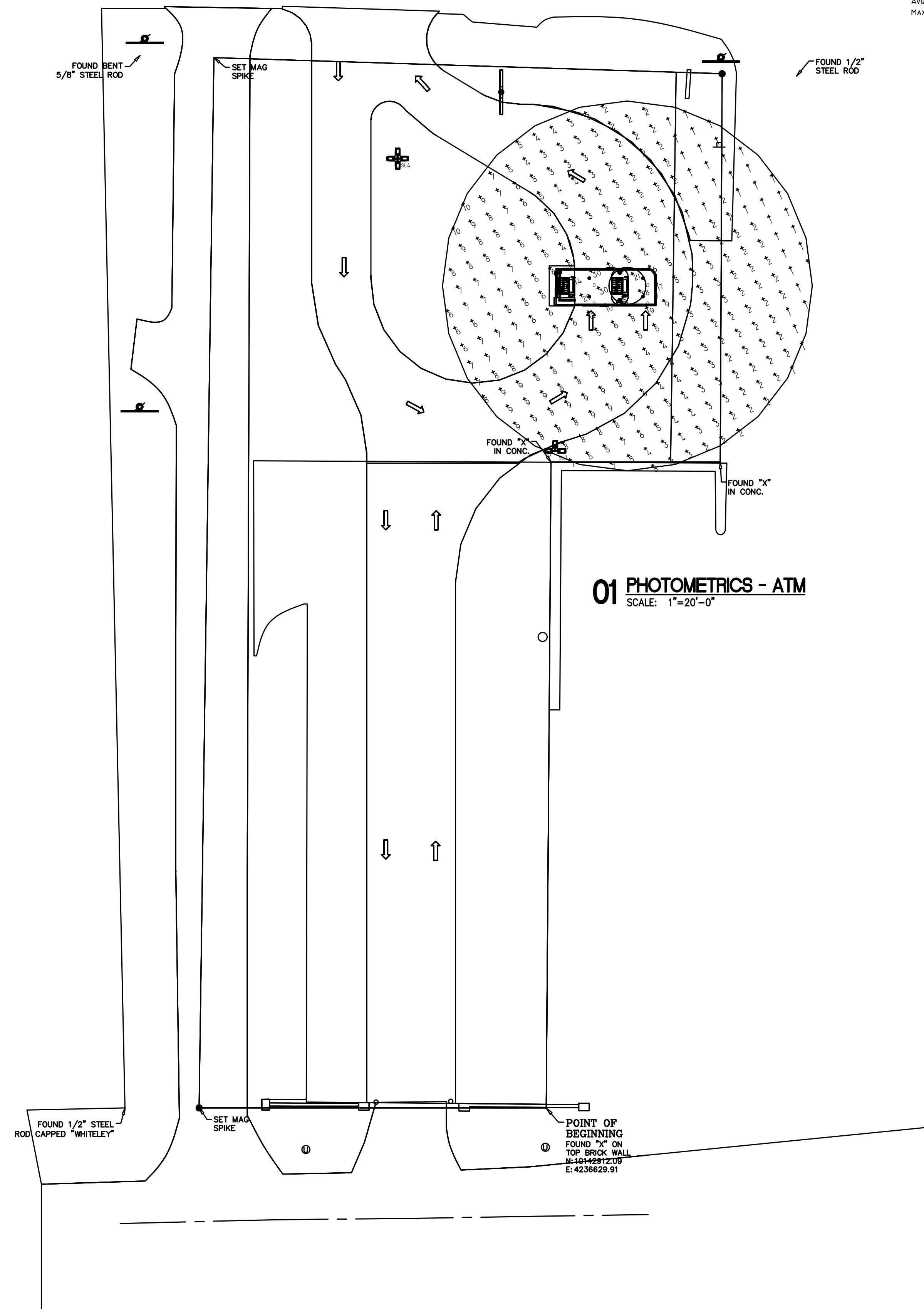
E/B/E PROJECT NUMBER: 2603100

LUMINAIRE SCHEDULE									
SYMBOL	QTY	LABEL	MOUNTING HEIGHT	ARRANGEMENT	DESCRIPTION	LLF	LUMINAIRE LUMENS	LUMINAIRE WATTS	TOTAL WATTS
1	1	SL3	30	3 @ 90 DEGREES	LST P/N: MRS-LED-24L-SIL-SW-LRV-DIM-40-70CRI-FINISH	0.850	23578	196	589
2	1	SL4	30	4 @ 90 DEGREES	LST P/N: MRS-LED-24L-SIL-SW-LRV-DIM-40-70CRI-FINISH	0.850	23578	196	784
3	4	D	9.79	SINGLE	WILLIAMS P/N: 4DR-TL-L50/840-DIM-UNV-LW-OF-CS-WETCC	0.850	2042	27.8	111.2

CALCULATION SUMMARY						
LABEL	CALCTYPE	UNITS	AVG	MAX	MIN	AVG/MIN
CALCS @ 50' RADIUS ADDED POLE	ILLUMINANCE	FC	5	38	1	38
ITM FACE ITM FACE	ILLUMINANCE	FC	7	8	7	1
5' RADIUS FROM ITM FACE ADDED POLE	ILLUMINANCE	FC	14	38	7	5

5' RADIUS FROM ITM FACE ADDED POLE

ILLUMINANCE (FC)
 AVERAGE = 14
 MAXIMUM = 38
 MINIMUM = 7
 AVG/MIN RATIO = 2
 MAX/MIN RATIO = 5



01 PHOTOMETRICS - ATM
 SCALE: 1"=20'-0"

ISSUED FOR CLIENT APPROVAL	DATE
ISSUED FOR BIDDING	
ISSUED FOR PERMIT	
ISSUED FOR CONSTRUCTION	

REVISIONS		
MARK	DESCRIPTION	DATE
	ISSUE FOR PROGRESS REVIEW	02/06/2026
	ISSUE FOR PERMIT & CONSTRUCTION	03/03/2026

PRINT DATE



DRAWING TITLE
PHOTOMETRICS - ATM

SHEET NO.

E1.02

E/B/E Mechanical
 Electrical
 CONSULTING ENGINEERS Plumbing
 12803 Southwest Frwy, Ste 170, Stafford, Tx 77477
 Tel: (713) 840-0177 / Firm Reg. No: 5638

