



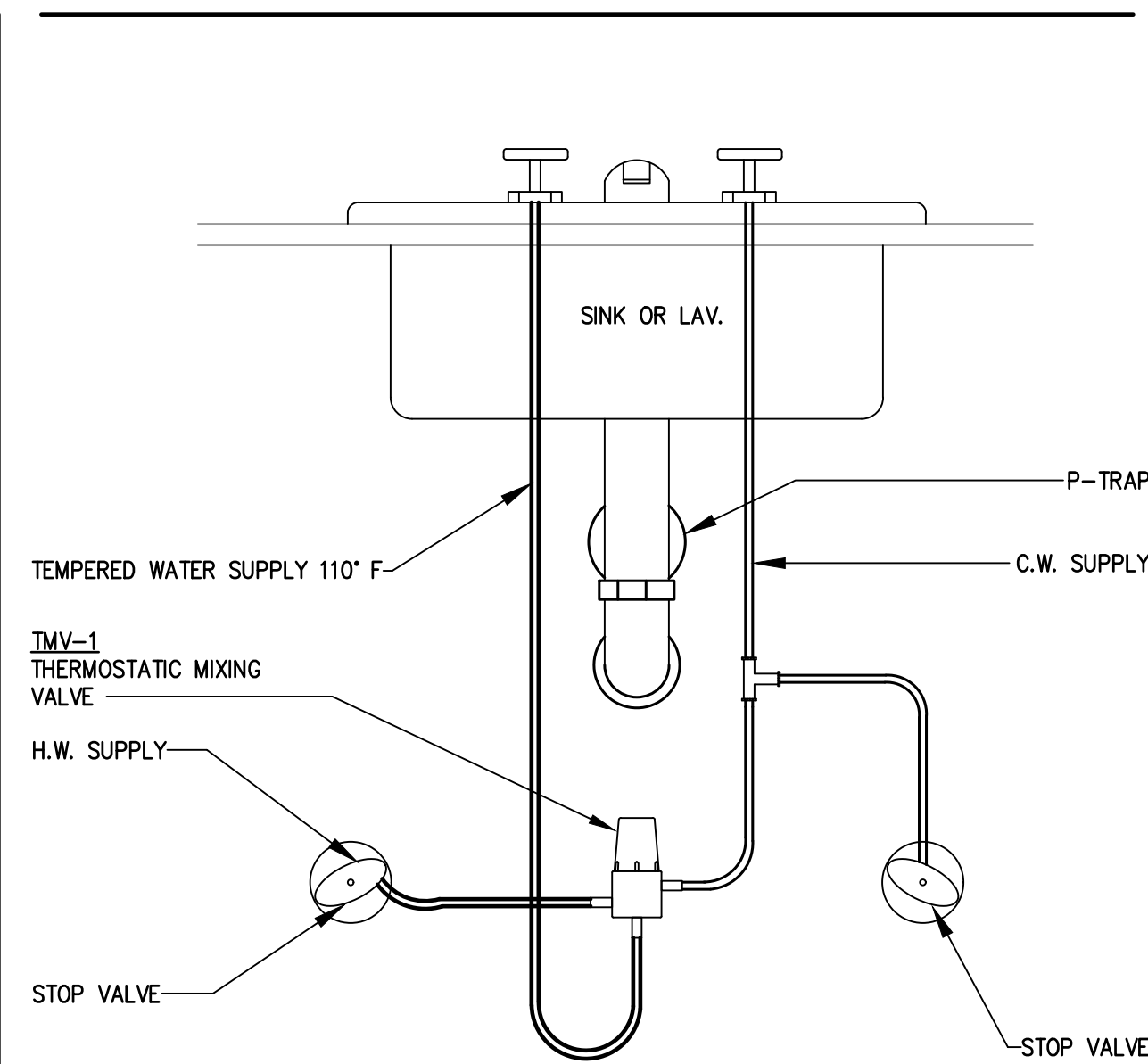
ARCHITECTURE PLANNING INTERIOR DESIGN
 15810 PARK TEN PLACE, SUITE 300
 HOUSTON, TEXAS 77084
 713-465-4650
 www.sligroup.com

© COPYRIGHT

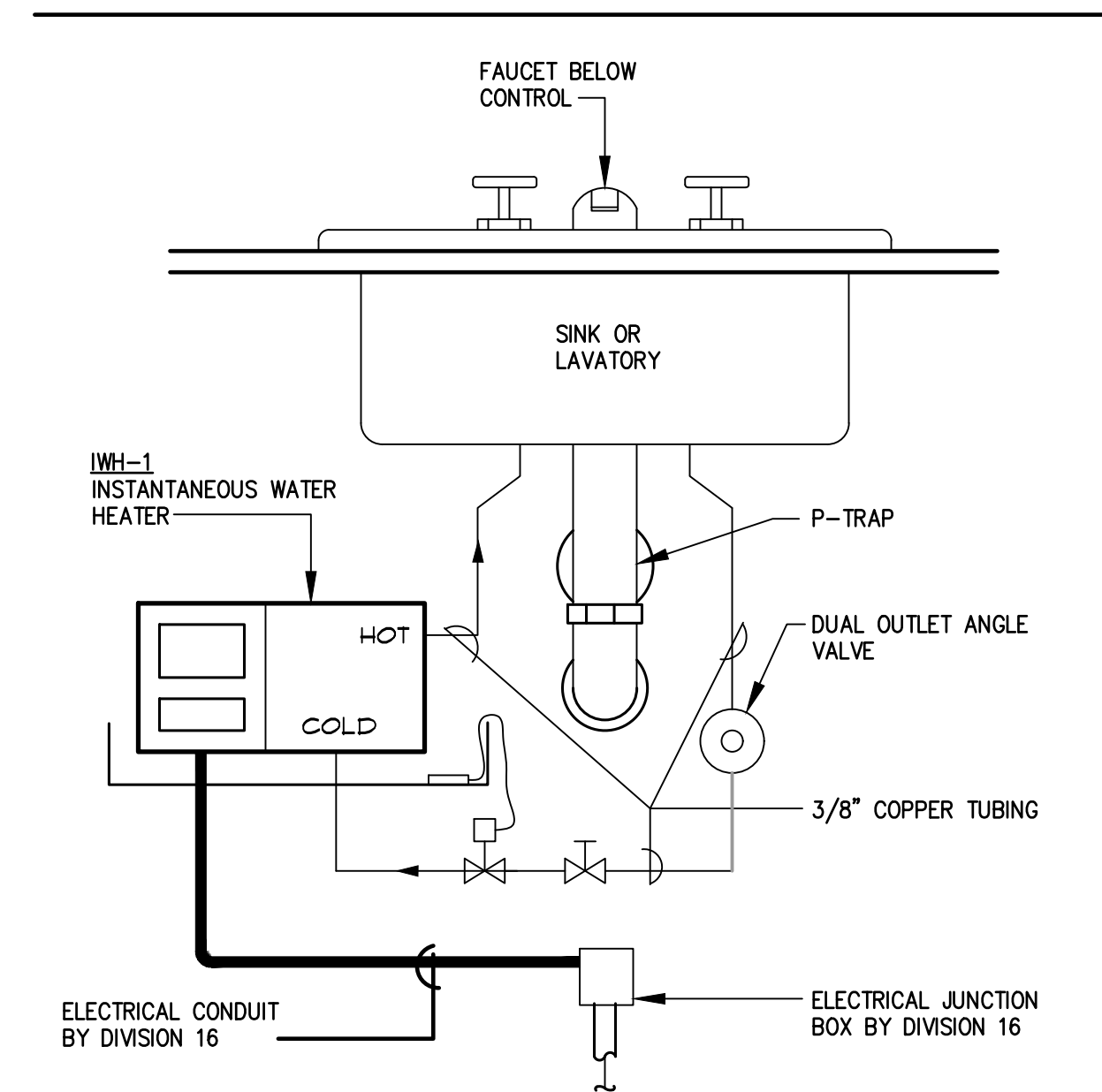


ACORN GOLF SIMULATOR
 13825 Timber Forest Dr, Houston, TX 77044
 SUITE 103

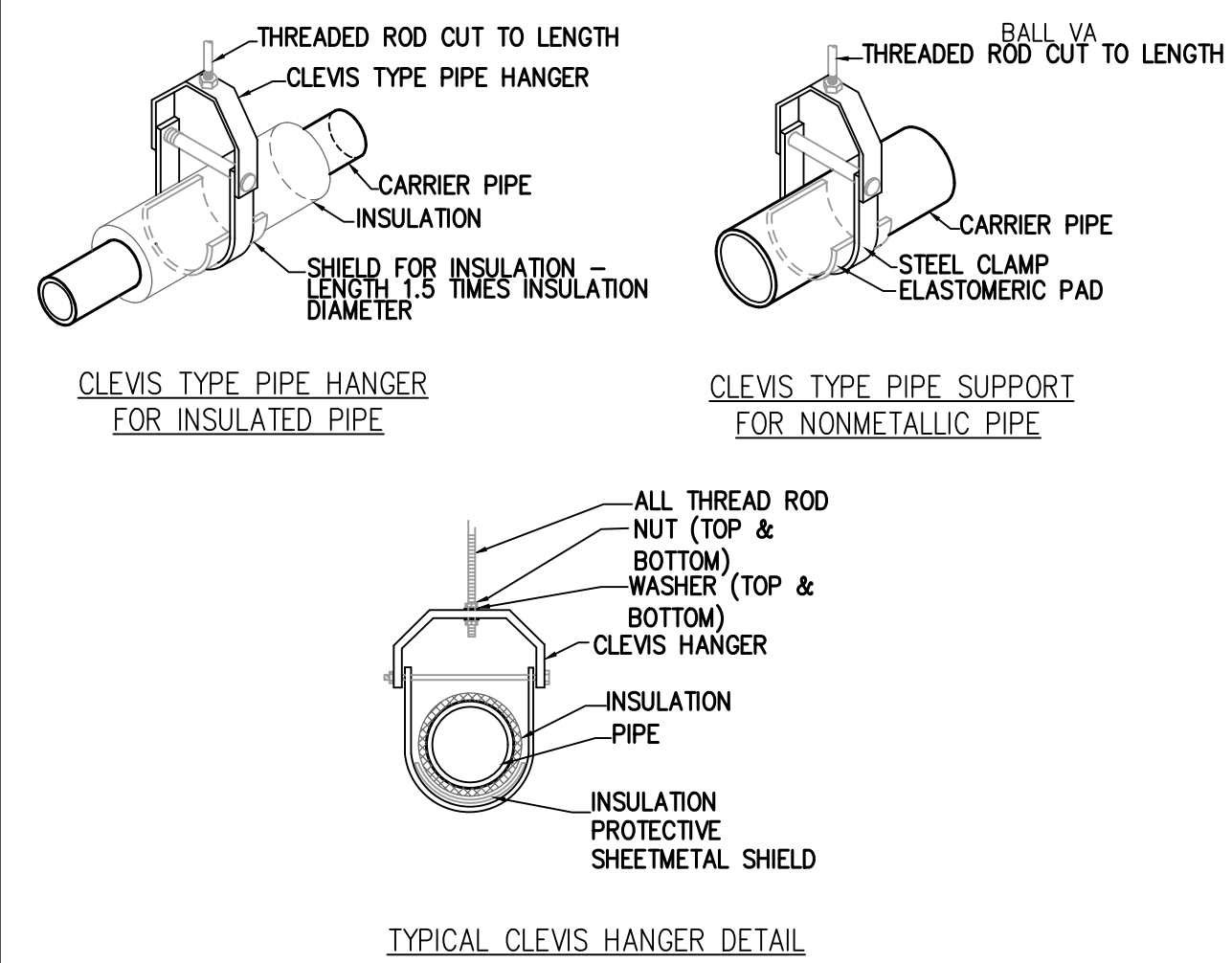
E/B/E PROJECT NUMBER: 26052.00



THERMOSTATIC MIXING VALVE TMV-1 01
 SCALE: NONE

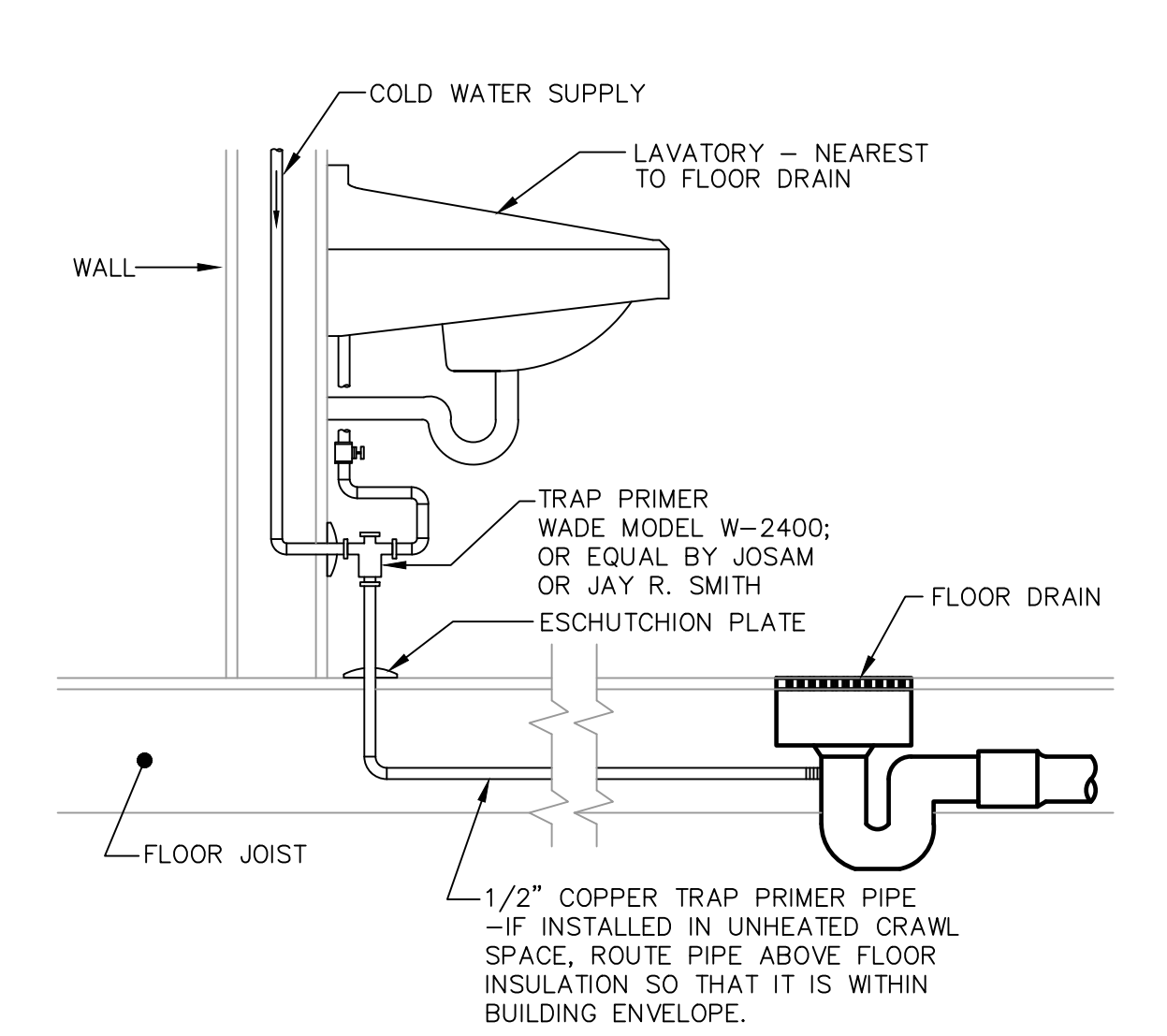


INSTANTANEOUS WATER HEATER DET. 02
 SCALE: NONE



- NOTES:**
- REFER TO MANUFACTURERS SPECIFICATIONS FOR ADDITIONAL INFORMATION.
 - 16 GA. GALVANIZED SHEET STEEL SADDLE AT LEAST 12" LONG. (INSULATED LINES ONLY)
 - INSULATION WHERE SPECIFIED.

CLEVIS PIPE HANGER SUPPORT DETAIL 03
 SCALE: NONE



FLOOR DRAIN TRAP PRIMER 04
 SCALE: NONE

ISSUED FOR CLIENT APPROVAL	DATE
ISSUED FOR BIDDING	04/09/2026
ISSUED FOR PERMIT	
ISSUED FOR CONSTRUCTION	

REVISIONS

MARK	DESCRIPTION	DATE
	REVIEW SET	03/27/2026
	ISSUE FOR BID SET	04/09/2026

The information, ideas, designs, details, layouts, techniques, features, arrangements, plans, sequences, dimensions, allowances, tolerances, conceptions, specifications, intentions, technology or embodiments, as illustrated, arranged, displayed, noted, recorded, indicated, represented, disclosed, evidenced, detailed or otherwise reduced to tangible form hereon, either expressly, inherently or by implication, are the confidential and proprietary information of SLI Design, Inc. and shall not be used for any purpose other than the specific project or undertaking identified on the drawing title block or legend for which they are and have been prepared by SLI Design, Inc. Any other reproduction, disclosure or use of any portion of the confidential and proprietary information of SLI Design, Inc., shall be a breach of the obligation of confidence created by the acceptance of this drawing from SLI Design, Inc. for a specific project and Contract. Any copying, duplicating, reproducing, utilization, alteration, modification, revision or change to this drawing, is expressly prohibited unless done with the prior written consent or approval of SLI Design, Inc., and shall not be undertaken without receipt of such prior written approval. This drawing is loaned by SLI Design, Inc., for the limited purpose of complying with a specific Contract. The drawing remains the property of SLI Design, Inc., and shall be returned upon request or completion of the contract, unless specifically authorized by Contract, under which it was loaned.

DESIGN TEAM	
PM:	JG
MECHANICAL:	CC
ELECTRICAL:	JG
CHECKED-BY:	

DRAWING TITLE
PLUMBING DETAILS

SHEET NO.
P-4.00

EIBIE Mechanical
 Electrical
 Plumbing
 CONSULTING ENGINEERS
 12803 Southwest Fwy, Ste 170, Stafford, TX 77477
 Tel: (713) 840-0177 / Firm Reg. No: 5638

